



2023 Edition

DIGITAL SIGNAGE PLAYERS

iBASE

www.ibase.com.tw



ES France - Mobilité & Systèmes Embarqués
127 rue de Buzenval BP 26 - 92380 Garches



Tél. 01 47 95 99 80
Fax. 01 47 01 16 22



e-mail : mse@es-france.com
Site Web : www.es-france.com

Table of Contents

About IBASE	3-4
Strategic Software Partners	5
IBASE Sole Technologies	6-7
Digital Signage Applications	8-9
Signage Player Selection Guide	10
Comparison Table	11-19

Extreme Performance Video Wall Player

NEW SI-624	12th Gen Intel® Core™ Processor Video Wall Player with NVIDIA MXM Graphics and Four DP	20
SI-614	7th/6th Gen Intel® Core™ Desktop Processor Video Wall Player with MXM NVIDIA Graphics and Four DP	21
SP-63ER	8th Gen Intel® Core™ Desktop Processor Video Wall Player with MXM Graphics and up to Sixteen HDMI	22
SI-626	7th/6th Gen Intel® Core™ Mobile Processor Video Wall Player with AMD Radeon™ E8860 Graphics and Six HDMI	23
SI-62S	9th/8th Gen Intel® Core™ Desktop Processor Video Wall Player with 1x PCI-E (x16) or 2x PCI-E (x8) Slots	24
SI-30S	AMD Ryzen™ 3000 Series Processor Video Wall Player with 1x PCI-E (x16) or 2x PCI-E (x8) Slots	25

Mid-Range Signage Player

NEW SI-664-N	12th Gen Intel® Core™ Processor Fanless Signage Player with Intel® SoC Integrated Graphics and Four HDMI 2.0	26
SI-654	11th Gen Intel® Core™ U-Series Processor Signage Player with Intel® SoC Integrated Graphics and Four HDMI 2.0	27
SI-654-N	11th Gen Intel® Core™ U-Series Processor Fanless Signage Player with Intel® SoC Integrated Graphics and Four HDMI 2.0	28
SI-642-N	8th Gen Intel® Core™ U-Series Processor Fanless Signage Player with Intel® UHD Graphics 620 and One HDMI & DP	29
SI-623-N	7th/6th Gen Intel® Core™ Mobile Processor Fanless Signage Player with Intel® HD Graphics 530 and Three HDMI	30
SI-613	7th/6th Gen Intel® Core™ Desktop Processor Signage Player with Intel® HD Graphics 530 and Three HDMI	31
SI-334	AMD Ryzen™ Embedded V2000 Series Signage Player with AMD Vega GPU and Four HDMI	32
SI-324	AMD Ryzen™ Embedded V1000 Series Signage Player with AMD Vega GPU and Four HDMI	33
SI-324-N	AMD Ryzen™ Embedded Next-Gen of R1000 / V1000 Series Fanless Signage Player with AMD Vega GPU and Four HDMI	34
SI-323-N	AMD Ryzen™ Embedded Next-Gen of R1000 / R1000 Series Fanless Signage Player with AMD Vega GPU and Three HDMI	35

Entry-Level Signage Player

NEW SI-111-N	Intel® Atom® x6000 / Pentium® / Celeron® Processor Fanless Signage Player with One HDMI	36
SI-22	AMD Embedded G-Series SoC Fanless Signage Player with Dual HDMI	37
SI-12-J19	Intel® Celeron® Processor J1900 Fanless Signage Player with Intel® Gen7 Graphics and Dual HDMI	38

Outdoor Signage Player

NEW SE-603-N	11th Gen Intel® Core™ / Celeron® U-Series Fanless Signage Player with One HDMI, DP and DVI	39
SE-103-N	Intel® Atom® X6000 / Pentium® / Celeron® Processor Fanless Signage Player with Intel® Graphics and Three HDMI	40
SE-102-N	Intel® Atom® x7/x5 / Pentium® & Celeron® Processor Fanless Signage Player with Dual HDMI	41
SI-12	Intel® Atom® Processor E3845 Fanless Signage Player with Intel® Gen7 Graphics and Dual HDMI	38

Waterproof Signage Player

SW-101-N	Intel® Atom® Processor E3845 Waterproof Fanless Signage Player with One HDMI	42
----------	--	----

OPS Signage Player

IOPS-602	7th/6th Gen Intel® Core™ U-Series Processor OPS Signage Player with Intel® HD Graphics	43
----------	--	----

All-in-One Bar-Type Signage Panel PC

ARD-048-N	48" 8th Gen Intel® Core™ i5-8365UE All-in-One Bar-Type Fanless 4K Panel PC	44
ARD-042-N	42" Intel® Pentium® N4200 All-in-One Bar-Type Fanless Panel PC	45
ARD-037-N	37" Intel® Pentium® N4200 All-in-One Bar-Type Fanless Panel PC	46
ARD-028-NRA	27.6" Intel® Pentium® N4200 All-in-One Bar-Type Fanless Panel PC	47

ARM-Based Signage Player

NEW ISR215	Fanless Signage Player with NXP i.MX 8M Plus - ARM Cortex-A53 Quad Processor	48
ISR301	Fanless Signage Player with NXP i.MX 8M - ARM Cortex-A53 Quad Processor	49
SA-101-N	Fanless Signage Player with NXP i.MX 6Quad - ARM Cortex-A9 Processor	50

About IBASE



Core Activities

Design and Manufacturing of Robust Industrial Computing Platforms



Headquarters
Taipei, Taiwan



Founded
February 2000



Chairman
C. S. Lin



Capital
US\$63M



Employee
868
(Worldwide)



Stock Code
TPEX 8050
(Since 2003)

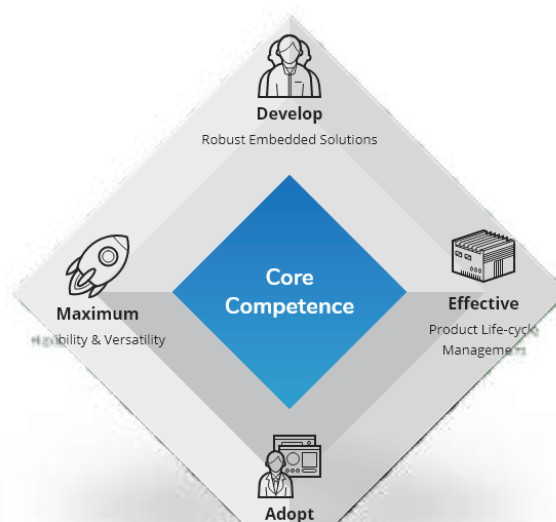
Company Profile

IBASE Technology specializes in the design and manufacture of robust industrial PC, products since its establishment in 2000. IBASE carries out manufacturing and quality control at its own facilities in Taiwan that are certified with ISO 9001, ISO 13485, ISO 14001 and ISO 27001 standards. Current offerings comprise x86 and RISC-based industrial motherboards, embedded systems, panel PCs, network appliances and digital signage players. The company is publicly listed in the Taipei Exchange (TPEX: 8050) and is now a leading global provider of innovative industrial and embedded computing solutions.



Core Competence

IBASE has three manufacturing sites in Taiwan, with two in New Taipei City and another one in Taoyuan City. We manufacture and implement strict quality control to supply excellent industrial computer products that are 100% made in Taiwan. In addition to off-the-shelf products, IBASE also specializes in OEM/ODM/JDM services, tailoring products to fully meet customers' expectations and the needs of various applications. With manufacturing and quality control capabilities recognized by major international companies, IBASE boasts of strong innovative R&D teams and flexible and timely products delivery.



ES France - Mobilité & Systèmes Embarqués
127 rue de Buzenval BP 26 - 92380 Garches



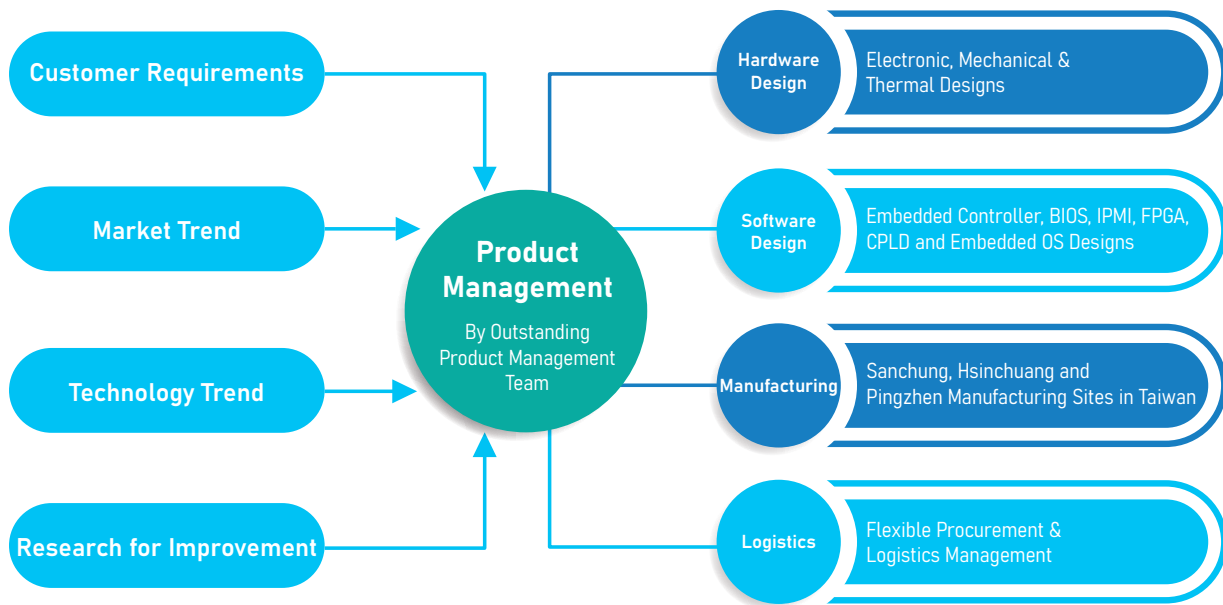
Tél. 01 47 95 99 80
Fax. 01 47 01 16 22



e-mail : mse@es-france.com
Site Web : www.es-france.com

Design & Manufacturing Services

Set up to become a global leading provider of embedded board and system solutions, IBASE manufacturers and supplies cutting-edge products based on the latest technologies to match market demands. Our R&D and product management teams have the expertise to design and develop products that are innovative and meet customers' requirements and design specifications. We attach great importance to research and development, investing heavily in manpower and resources to continuously provide high-quality innovative products. IBASE is also committed to compliance with environmental policies by working to prevent pollution with non-use of banned or restricted substances in our production process and products, helping our customers respond to their environmental challenges.



IBASE Manufacturing Sites

Design & Manufacturing in Taiwan

SANCHUNG

- Board Production
- Validation

3,481 m² / 1,053 Ping

HSINCHUANG

- System Assembly
- Validation

6,070 m² / 1,840 Ping

PINGZHEN

- Board Production
- System Assembly
- Validation

Total Size
300,851 Square-feet
(27,950 m² / 8,459 Ping)

Capacity

- SMT Line x 5
- DIP Assembly Line x 4
- System Assembly Line x 10
- Cleanroom x 2
- Burn-in Room x 13

Certifications

CE FC UH CCC

Strategic Software Partners

IBASE works closely with the industry-leading digital signage software and analytics companies to develop complete hardware turnkey solutions for fast and easy deployment in entertainment and public venues including shopping malls, restaurants, retail stores, airports, banks and hotels. Our solutions with user-friendly utilities extend the functionality of your business to increase sales and improve brand loyalty by creating and sharing compelling visual content, as well as providing information and entertainment to your target audience.



iSMART

Intelligent Energy-Saving Technology

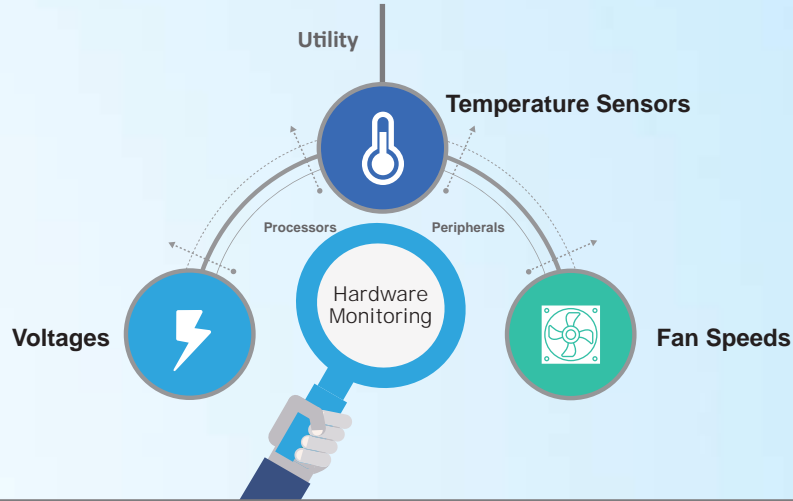
An intelligent energy-saving technology providing automatic power on/off scheduling to protect systems and make them use power more efficiently.



Observer

Remote Monitoring Technology

A hardware remote monitoring utility used for monitoring voltages, temperature sensors and fan speeds remotely.



iCONTROL

Intelligent Control Technology

An intelligent control technology featuring hardware EDID emulation, display status monitoring and HDMI-CEC functions

Hardware EDID Emulation

Without EDID Emulation Function

1x Display Output is Out of Order

With EDID Emulation Function

The hardware EDID (extended display identification data) emulation function prevents screen convergence issues due to cable disconnections, and erroneous wrong settings or digital playback software settings.

Display Status Monitoring

HPD → Low

Display or Cable Issue

Built-in display monitoring function helps to continuously monitor display status from the field sites.

HDMI-CEC Function

The diagram shows a power button labeled 'ON' connected to a device. An HDMI cable connects this device to a TV screen displaying a bowl of food.

Digital Signage Applications

High Quality Signage Players that Cater to Your Needs

IBASE supplies a comprehensive range of digital signage players for single and multiple large displays and for a variety of venues such as restaurants, retail stores, banks, schools, airports, and shopping malls to convey dynamic information and targeted promotions.

We provide entry, mid-range to extreme performance digital signage players to project sophisticated displays in UHD/4K/8K single screens or multiple video walls, using advanced remote management to refresh content and increase uptime while lowering costs. We offer high-quality, high-performance video wall players as well as bar-type panel PC technologies for in-store advertisement, digital menu board, and video wall display applications.

We also offer innovative digital out-of-home (DOOH) systems suitable for outdoor deployments. These reliable platforms support 24-hour operation in an extended temperature range from -40°C to $+75^{\circ}\text{C}$ (-40°F to $+167^{\circ}\text{F}$), with IP65/IP68 rated enclosure to make them dust-tight and water-resistant. Even in tough conditions, IBASE's outdoor signage solutions deliver the same performance as their indoor counterparts, while providing dirt and dust and resistance. They are excellent choices for harsh and outdoor digital signage applications.



ES France - Mobilité & Systèmes Embarqués
127 rue de Buzenval BP 26 - 92380 Garches



Tél. 01 47 95 99 80
Fax. 01 47 01 16 22



e-mail : mse@es-france.com
Site Web : www.es-france.com

iBASE

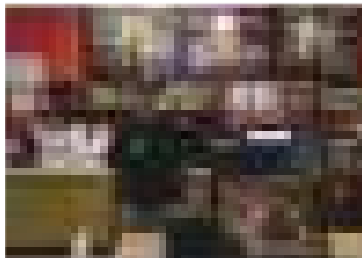
Digital Signage Applications

Public Venues



- Airport Flight Schedule
- Building Directory
- Safety Alert Sign

Retail Environment



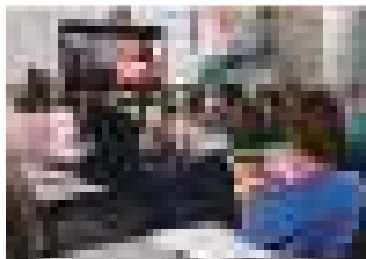
- Digital Menu Board
- Video Wall Signage
- POS & Kiosk

Advertisement



- Digital Wall Signs
- Multimedia Ads
- Outdoor Ads

Education



- Events Announcement
- Intelligent Classroom
- School Wayfinders

Internal Communication



- Meeting & Conference
- Reception Display
- Situation Room



Signage Player Selection Guide

A full range of product choices is available for different customer requirements that include entry-level, mid-range or high-performance players with fanless or segregated ventilation designs. From single to multiple output displays, with passive or active cooling, IBASE signage players cater to the needs of customers for different applications and environments.

Screens	1	2	3	4	6	8-24
8~24 screens Video Wall						SP-63ER SI-62S * SI-30S *
6 screens Video Wall					SI-626 SI-62S * SI-30S *	
4 screens Video Wall				SI-624 SI-614 SI-664-N SI-654-N SI-334 SI-324-N		
8K Video Playback	SI-624 SI-614 SP-63ER SI-62S * SI-30S *					
4K Video Playback	SI-626 SE-603-N SI-324-N SI-642-N SI-613 SI-623-N SI-111-N SE-103-N	SI-664-N SI-654-N SI-334		SP-63ER SI-624 SI-614		
FHD / Flash	SI-111-N SW-101-N SI-22 SI-12 SA-101-N ISR215 ISR301	SE-103-N SE-102-N SI-642-N	SE-603-N SI-323-N SI-613 SI-623-N	SI-654-N SI-334 SI-324-N	SI-626	SP-63ER

Fanless Design
Segregated Airflow Design
H/W/LED Emulation Function
HDMI CEC function

Comparison Table

Extreme Performance Video Wall Player



Models	SI-626	SI-624	SI-614	SI-62S
Mainboard	MBD626	MBD624	MBD614	MI998AF
CPU	7th/6th Gen Intel® Core™ / Pentium® / Celeron® Mobile Processor	12th Gen Intel® Core™ processors	7th/6th Gen Intel® Core™ / Pentium® / Celeron® Desktop Processor	9th/8th Gen Intel® Core™ / Pentium® / Celeron® Desktop Processor
Chipset	HM170/QM170 PCH	R680E/Q670E	H110 PCH	Q370 PCH
Operating System	Windows 7 (64-bit) Win10 IoT Enterprise (64-bit) Linux Ubuntu 14.04.2 LTS (64-bit) Linux Ubuntu 15.04 (64-bit)	Win10 IoT Enterprise (64-bit) Linux Ubuntu (64-bit)	Win10 IoT Enterprise (64-bit) Linux Ubuntu (64-bit)	Win10 IoT Enterprise (64-bit) Linux Ubuntu (64-bit)
Memory	2x DDR4-2133 SO-DIMM, Dual channel, Max 32GB	2x DDR4 SO-DIMM, Max 64GB (supports ECC by CPU SKU)	2x DDR4-2133 SO-DIMM, Dual channel, Max 32GB	2x DDR4 SO-DIMM, Max. 32GB (supports ECC by CPU SKU)
Graphics	AMD E8860 GPU with 128-bit wide, 2GB GDDR5, 72Gbps	NVIDIA MXM Graphics	NVIDIA MXM Graphics	Intel® HD Graphics P630
Display	6x HDMI 1.4b	1x HDMI 1.4 (console) 4x DP	4x DP 1.3 certificate(1.3/1.4 ready) 1x HDMI 1.4 (console)	1x DVI-D 1x HDMI 1x DP (console)
Video Capability	6x FHD or 1x 4K	4x 4K or 1x 8K (with NV MXM module)	4x 4K or 1x 8K	1x 4K or 1x 8K (with GPU card)
Ethernet	2x Realtek RTL8111H-CG	1x Intel® I226LM 1x Intel® I210	1x Intel® I219V	1x Intel® I219LM 1x Intel® I211AT/ I210AT
Expansion Slots	1x M.2 E-Key (2230) 1x M.2 M-Key (2280) 1x Mini PCI-E (Full-size) 1x SIM card slot	2x M.2 M-Key (2280) 1x M.2 E-Key (2230) 1x M.2 B-key (3052) 1x UIM/SIM card slot	1x M.2 M-Key (2280) 1x M.2 B-Key (3042) 1x Mini PCI-E (Full-size) 1x SIM card slot	1x M.2 E-Key (2230) 1x M.2 M-Key (2280) 1x PCI-E (x16) or 2x PCI-E (x8) based on PCI-E x16 connectors
USB	3x USB 3.0	4x USB 3.1	4x USB 3.0	6x USB 3.0 2x USB 2.0
Storage	1x 2.5 SATA HDD/SSD slots	2x 2.5 SATA HDD/SSD slots	2x 2.5 SATA HDD/SSD slots	2x 2.5 SATA SSD slots (supports RAID 1)
iSMART	Yes	Yes	Yes	-
H/W EDID	Yes	Yes	-	-
HDMI-CEC	-	-	-	-
Fanless	Segregated flow ventilation	-	Segregated flow ventilation	Segregated flow ventilation
Certification	CE, FCC class-B, LVD, cULus	CE, FCC class B, UKCA ,cULus, CCC	CE, FCC class-B, cULus	CE, FCC class-B, LVD
Dimensions	290mm(W) x 222mm(D) x 29.9mm(H)	329.2mm(W) x 210mm(D) x 73.1mm(H)	256.4mm(W) x 173.2mm(D) x 73.1mm(H)	406mm(W) x 345mm(D) x 93mm(H)
Weight	2.2kg (4.85lbs)	TBD	3kg (6.6lbs)	8kg (17.64lbs)
Operating Temperature	0°C~ 45°C (32°F~113°F)	0°C~ 45°C (32°F~113°F)	0°C~ 45°C (32°F~113°F)	0°C~ 45°C (32°F~113°F)
Power Supply	150W power adaptor	270W power adaptor	220W power adaptor (270W for NV1080 GPU card)	Internal 500W PSU
Page No.	p. 23	p. 20	p. 21	p. 24



Comparison Table

Extreme Performance Video Wall Player



Coming soon

Models	SI-30S	SP-63ER	SI-664-N
Mainboard	M1991AF	MBD63E	MBD664
CPU	AMD Ryzen™ 3000/5000 Series 9/7/5 series Processor	8th Gen Intel® Core™ / Pentium® / Celeron® Desktop Processor	12th Gen Intel® Core™ Processor
Chipset	AM4 X470	Intel® Q370 PCH	SoC Integrated
Operating System	Win10 IoT Enterprise (64-bit) Linux Ubuntu (64-bit)	Win10 IoT Enterprise (64-bit) Linux Ubuntu (64-bit)	Win10 IoT Enterprise (64-bit) Linux Ubuntu (64-bit)
Memory	2x DDR4-2400 SO-DIMM, Dual channel, Max. 64GB	2x DDR4-2666 DIMM, Max. 64GB	2x DDR5 SO-DIMM, Max 64GB (supports ECC by CPU SKU)
Graphics	AMD Radeon™ Vega GPU integrated for APU series	Integrated Intel® HD Graphics	Intel® Iris Xe Graphics
Display	1x DP for APU series	16x HDMI 1.3 (w/o audio)	4x HDMI2.0b
Video Capability	1x 4K or 1x 8K (with GPU card)	8x FHD or 4x 4K or 1x 8K	2x 4K
Ethernet	1x Realtek RTL8111H-CG	1x Intel® I219LM 1x Intel® I211AT/ I210AT	2x Intel® I226LM
Expansion Slots	1x PCI-E (x16) 1x M.2 (E-Key) 1x SIM card slot	1x MiniPCI-E 1x M.2 M-Key (2280) 1x M.2 E-Key (2230) 1x MXM slot for NVIDIA GPO card	1x M.2 E-Key (2230) 1x M.2 B-key (3052) 1x UIM/SIM card slot
USB	6x USB 3.1	6x USB 3.0	4x USB 3.1
Storage	2x 2.5SATA HDD/SSD slots (supports RAID 1)	2x 2.5SATA HDD/SSD slots (supports RAID 1)	1 x M.2 M-Key (2280)
iSMART	Yes	Yes	Yes
H/W EDID	-	Yes	Yes
HDMI-CEC	-	-	-
Fanless	Segregated flow ventilation	-	-
Certification	CE, FCC class-B	CE, FCC class-B, cULus	CE, FCC class B, UKCA ,cULus, CCC
Dimensions	436mm(W) x 345mm(D) x 82mm(H)	395mm(W) x 438mm(D) x 88mm(H)	TBD
Weight	8.2Kg (18 lbs)	9.5kg (20.9lbs)	TBD
Operating Temperature	0°C~ 45°C (32°F~113°F)	0°C~ 45°C (32°F~113°F)	0°C~ 45°C (32°F~113°F)
Power Supply	Internal 500W PSU	Internal 850W PSU	84W power adaptor
Page No.	p. 25	p. 22	p. 26

Comparison Table

Mid-Range Signage Player



Models	SI-654	SI-654-N	SI-642-N	SI-623-N
Mainboard	MBD654	MBD654	MBD642	MBD623
CPU	11th Gen Intel® Core™ / Celeron® U-Series Processor	11th Gen Intel® Core™ / Celeron® U-Series Processor TDP<=15W	8th Gen Intel® Core™ / Pentium® / Celeron® Mobile Processor (TDP<=25W)	7th/6th Gen Intel® Core™ / Pentium® / Celeron® Mobile Processor
Chipset	SoC Integrated	SoC Integrated	SoC Integrated	HM170/QM170 PCH
Operating System	Win10 IoT Enterprise (64-bit) Linux Ubuntu (64-bit)	Win10 IoT Enterprise (64-bit) Linux Ubuntu (64-bit)	Win10 IoT Enterprise (64-bit) Linux Ubuntu (64-bit)	Win7 (64-bit) Win8.1 (64-bit) Win10 IoT Enterprise (64-bit) Linux Fedora / Ubuntu (64-bit) (Installation)
Memory	2x DDR4-3200 SO-DIMM, Dual channel, Max. 64GB	2x DDR4-3200 SO-DIMM, Dual channel, Max. 64GB	2x DDR4-2400 SO-DIMM Dual channel, Max. 32GB	2x DDR4-2133 SO-DIMM, Dual channel, Max 32GB
Graphics	Intel® Gen12 Graphics	Intel® Gen12 Graphics	Intel® UHD Graphics 620	Intel® HD Graphics 530
Display	4x HDMI 2.0	4x HDMI 2.0	1x HDMI 2.0 1x DP++	1x HDMI 2.0 2x HDMI 1.4
Video Capability	2x 4K	2x 4K	2x FHD or 1x 4K	3x FHD or 1x 4K
Ethernet	1st: 1x Intel® I211AT/ 1210AT 2nd: 1x Intel® I219LM (I7/I5) 1x Intel® I219V (I3)	1st: 1x Intel® I211AT/ 1210AT 2nd: 1x Intel® I219LM (I7/I5) 1x Intel® I219V (I3)	1x Intel® I219LM 1x Intel® I211AT /1210AT	1x Intel® I219LM for QM170 1x Intel® I219V for HM170
Expansion Slots	1x M.2 B-Key (3042) 1x M.2 E-Key (2230) 1x UIM/SIM card slot	1x M.2 B-Key (3042) 1x M.2 E-Key (2230) 1x UIM/SIM card slot	1x M.2 B-Key (3042) 1x M.2 E-Key (2230) 1x UIM/SIM card slot	1x M.2 B-Key (3042) 1x M.2 M-Key (2280) 1x Mini PCI-E (Full-size) 1x SIM card slot
USB	1x USB 2.0 3x USB 3.1	1x USB 2.0 3x USB 3.1	4x USB 3.1	2x USB 3.0 2x USB 2.0
Storage	1x M.2 M-Key (2280) supports NVMe	1x M.2 M-Key (2280) supports NVMe	1x M.2 M-Key (2280)	1x 2.5SATA HDD/SSD
iSMART	Yes	Yes	Yes	Yes
H/W EDID	Yes	Yes	-	Yes
HDMI-CEC	Yes	Yes	-	-
Fanless	Segregated flow ventilation	Yes	Yes	Yes
Certification	CE, FCC class-B, UKCA, cULus, LVD	CE, FCC class-B, UKCA ,cULus, CCC, LVD	CE, FCC class-B, cULus, CCC, LVD	CE, FCC class-B, cULus, CCC, LVD
Dimensions	200.8mm(W) x 139.3mm(D) x 41.2mm(H)	200.8mm(W) x 139.3mm(D) x 41.2mm(H)	175mm(W) x 119.3mm(D) x 31mm(H)	215.6mm(W) x 215.6mm(D) x 40mm(H)
Weight	1.7kg (3.7lbs)	1.7kg (3.7lbs)	1kg (2.2lbs)	2.4kg (5.29lbs)
Operating Temperature	0°C~ 45°C (32°F~113°F)	0°C~ 45°C (32°F~113°F)	0°C~ 45°C (32°F~113°F)	0°C~ 45°C (32°F~113°F)
Power Supply	84W power adaptor	84W power adaptor	84W power adaptor	84W power adaptor
Page No.	p. 27	p. 28	p. 29	p. 30

Comparison Table

Mid-Range Signage Player



Models	SI-613	SI-334	SI-324	SI-324-N
Mainboard	MBD613	MBD334	MBD324	MBD324
CPU	7th/6th Gen Intel® Core™ / Pentium® / Celeron® Desktop Processor	AMD Ryzen™ Embedded V2000 Processor	AMD Ryzen™ Embedded V1000 Processor	AMD Ryzen™ Embedded Next-Gen of R2000 / V1000 Processor (TDP<=25W)
Chipset	H170/Q170 PCH	SoC integrated	SoC Integrated	SoC Integrated
Operating System	Win7 (64-bit), Win8.1(64-bit), Win10 IoT Enterprise (64-bit), Linux Fedora / Ubuntu (64-bit) (Installation)	Win11 IoT Enterprise (64-bit), Win10 IoT Enterprise (64-bit), Linux Ubuntu(64-bit)	Win10 IoT Enterprise (64-bit), Linux Ubuntu (64-bit)	Win10 IoT Enterprise (64-bit), Linux Ubuntu (64-bit)
Memory	2x DDR4-2133 SO-DIMM, Dual channel, Max 32GB	2x DDR4-3200, SO-DIMM, Dual channel, Max. 64GB	2x DDR4-2400 SO-DIMM, Dual channel, Max. 32GB	2x DDR4-2400 SO-DIMM, Dual channel, Max. 32GB
Graphics	Intel® HD Graphics 530	Next-gen AMD Vega GPU integrated	Next-gen AMD Vega GPU integrated	Next-Gen AMD Radeon™ HD GPU integrated
Display	3x HDMI 2.0	4x HDMI 2.0	4x HDMI 2.0	4x HDMI 2.0
Video Capability	3x FHD or 1x 4K	4x FHD or 1x 4K	4x FHD or 1x 4K	4x FHD or 1x 4K
Ethernet	1x Intel® I219LM for Q170 1x Intel® I219V for H170	2x Realtek RTL8111H-CG	2x Realtek RTL8111H-CG	2x Realtek RTL8111H-CG
Expansion Slots	1x M.2 B-Key (3042) 1x Mini PCI-E (Full-size) 1x SIM card slot	1x M.2 B-Key (3052) 1x M.2 E-Key (2230) 1x UIM/SIM card slot	1x M.2 E-Key (2230) 1x Mini PCI-E (Full-size) 1x SIM card slot	1x M.2 E-Key (2230) 1x Mini PCI-E (Full-size) 1x SIM card slot
USB	2x USB 3.0 2x USB 2.0	3x USB 3.1	2x USB 3.0 1x USB 2.0	2x USB 3.0 1x USB 2.0
Storage	1x M.2 M-Key (2280)	1x M.2 M-Key (2280)	1x M.2 M-Key (2280)	1x M.2 M-Key (2280)
iSMART	Yes	Yes	Yes	Yes
H/W EDID	Yes	Yes	Yes	Yes
HDMI-CEC	-	Yes	-	-
Fanless	Segregated flow ventilation	Segregated flow ventilation	Segregated flow ventilation	Yes
Certification	CE, FCC class-B, cULus, BSMI, LVD	CE, FCC class A, UKCA, cULus, CCC	CE, FCC class-B, cULus, BSMI, CCC	CE, FCC class-B, cULus
Dimensions	215.6mm(W) x 215.6mm(D) x 31.5mm(H)	269mm(W) x 193mm(D) x 31.5mm(H)	269mm(W) x 193mm(D) x 31.5mm(H)	215.8mm(W) x 164mm(D) x 45mm(H)
Weight	2.2kg (4.85lbs)	2.1kg (4.63lbs)	2.1kg (4.63lbs)	1.5kg (3.31lbs)
Operating Temperature	0°C~ 45°C (32°F~113°F)	0°C~ 45°C (32°F~113°F)	0°C~ 45°C (32°F~113°F)	0°C~ 45°C (32°F~113°F)
Power Supply	150W power adaptor	150W power adaptor	150W power adaptor	84W power adaptor
Page No.	p. 31	p. 32	p. 33	p. 34



Comparison Table

Entry-Level Signage Player



SI-323-N	SI-22	SI-12-J19	SI-111-N
MBD323	IB922	IB812	MBD111
AMD Ryzen™ Embedded Next-Gen of R1000 / R2000 Processor	AMD Embedded G-Series Quad-Core APU GX-415GA @ 1.5GHz	Intel® Atom® Processor J1900 SoC (22nm); Quad-Core @ 2.0GHz	Intel® Atom® X6000/ Pentium® / Celeron® Processor
SoC Integrated	SoC Integrated	SoC Integrated	SoC Integrated
Win10 IoT Enterprise(64-bit) Linux Ubuntu (64-bit)	Windows 7 (32/64-bit) Windows 8.1 (64-bit) Win10 IoT Enterprise (64-bit) Linux Ubuntu 14.04.2 LTS (64-bit) Linux Ubuntu15.04 (64-bit)	Win7 (32/64-bit), Win8, Win8.1. WEI8.1, WEC 2013, Win10 IoT Enterprise (32/64-bit)	Win10 IoT Enterprise (64-bit) Linux Ubuntu (64-bit)
2x DDR4-2400 SO-DIMM, Dual channel, Max. 32GB	1x DDR3-1600 SO-DIMM, Max. 8GB	2x DDR3L-1333 SO-DIMM Dual channel, Max. 8GB	2x DDR4-3200 SO-DIMM, Max. 32GB, supports IB ECC
Next-Gen AMD Radeon™ HD GPU integrated	AMD Radeon™ HD8330E series Graphics integrated in APU	Intel® Gen7 Graphics	Intel® Gen11 Graphics
3x HDMI 2.0	2x HDMI 1.4a	2x HDMI 1.4a	1x HDMI 2.0b
3x FHD or 1x 4K	1x FHD	1x FHD	1x 4K
2x Realtek RTL8111H-CG	1x Realtek RTL8111H-CG	1x Realtek RTL8111H-CG	1x Intel® I226IT
1x M.2 E-Key (2230) 1x Mini PCI-E (Full-size) 1x SIM card slot	1x Mini PCI-E (Full-size) 1x SIM card slot	1x Mini PCI-E (Full-size) 1x SIM card slot	1x M.2 E-Key (2230)
2x USB 3.0 1x USB 2.0	1x USB 2.0 2x USB 3.0	2x USB 2.0 1x USB 3.0	3 x USB (Gen 2)
1x M.2 M-Key (2280)	1x mSATA	1x mSATA	1x M.2 M-Key (2280)
Yes	Yes	Yes	Yes
Yes	-	-	-
-	-	-	-
Yes	Yes	Yes	Yes
CE, FCC class-B, cULus	CE, FCC class-B, VCCI class-B, cULus, LVD	CE, FCC class-B, VCCI class-B, cULus, BSMI, LVD	CE, FCC class B, UKCA, cULus & CCC
215.8mm(W) x 164mm(D) x 45mm(H)	190mm(W) x 130mm(D) x 19.5mm(H)	190mm(W) x 130mm(D) x 19.5mm(H)	260mm(W) x 181.4mm(D) x 25mm(H)
1.5kg (3.31lbs)	0.9kg (1.98lbs)	0.8kg (1.76lbs)	TBD
0°C~ 45°C (32°F~113°F)	0°C~ 45°C (32°F~113°F)	0°C~ 45°C (32°F~113°F)	-10°C ~ 50°C (14°F~122°F) for SI-111-N -20°C ~ 70°C (-4°F~158°F) for SI-111-N11E
84W power adaptor	60W power adaptor	60W power adaptor	60W power adaptor
p. 35	p. 37	p. 38	p. 36



Comparison Table




Outdoor Signage Player



Models	SE-603-N	SE-103-N	SE-102-N
Mainboard	MBD603	MBD103	MBD102
CPU	11th Gen Intel® Core™ / Celeron® U-series Processor TDP<=28W	Intel® Atom® X6000/ Pentium® / Celeron® Processor	Intel® Atom® x7 / x5, Pentium® / Celeron® Processor
Chipset	SoC Integrated	SoC Integrated	SoC Integrated
Operating System	Win10 IoT Enterprise (64-bit) Linux Ubuntu (64-bit)	Win10 IoT Enterprise (64-bit) Linux Ubuntu (64-bit)	Win10 IoT Enterprise (64-bit) Linux Ubuntu (64-bit)
Memory	2x DDR4-3200 SO-DIMM, Max. 64GB, supports IBCEC	2x DDR4-3200 SO-DIMM, Max. 32GB, supports IBCEC	2x DDR3L-1866 SO-DIMM Dual channel, Max. 8GB
Graphics	Intel® Gen12 Graphics	Intel® Gen11 Graphics	Intel® HD Graphics 505
Display	1x HDMI 2.0b 1x DP (support DP++) 1x DVI-D	3x HDMI 2.0b	2x HDMI 1.4b
Video Capability	2x 4K	2x FHD or 1x 4K	2x FHD
Ethernet	1x Intel® I226IT	1x Intel® I210IT for x6000 series 1x Intel® I210AT for N/J6000 series	1x Intel® I210IT Gigabit LAN controller for EXXXX series 1x Intel® I210AT Gigabit LAN controller for NXXXX series
Expansion Slots	1x M.2 E-Key (2230) 1x M.2 B-Key (3052) 1x UIM/SIM card slot	1x M.2 B-Key (3052) 1x M.2 E-Key (2230) 1x UIM/SIM card slot	1x Mini PCI-E (Full-size) 1x SIM card slot
USB	1 x USB 2.0 3 x USB 3.1 (Gen 2)	3x USB	3x USB 3.0
Storage	1x M.2 M-key (2280) supports NVMe	1x M.2 M-Key (2280)	1x mSATA
iSMART	Yes	Yes	Yes
H/W EDID	-	Yes	Yes
HDMI-CEC	-	Yes	-
Fanless	Yes	Yes	Yes
Certification	CE, FCC class B, UKCA, cULus & CCC	CE, FCC class-B, UKCA, cULus	CE, FCC Class-B, cULus, LVD
Dimensions	262mm(W) x 134mm(D) x 51.8mm(H)	260mm(W) x 181.4mm(D) x 25mm(H)	190mm(W) x 130mm(D) x 19.5mm(H)
Weight	TBD	1.7Kg (3.75lbs)	0.9kg (1.98lbs)
Operating Temperature	-40°C~ 75°C (-40°F~167°F)	-40°C~ 75°C (-40°F~167°F)	-40°C~70°C (-40°F~158°F) for Exxxx CPU 0°C~45°C (32°F~113°F) for Nxxxx CPU
Power Supply	60W power adaptor`	60W power adaptor	60W power adaptor
Page No.	p. 39	p. 40	p. 41



Comparison Table

	Waterproof Player		OPS Player
			
Models	SI-12	SW-101-N	IOPS-602
Mainboard	IB812	SGT-MB3	OPS602
CPU	Intel® Atom® Processor E3845 SoC (22nm); Quad-Core @ 1.91GHz	Intel® Atom® Processor E3845 SoC (22nm); Quad-Core @ 1.91GHz	7th Gen Intel® Core™ U-Series Processor Quad-Core i7-7600U (2.8GHz/3.9GHz) Quad-Core i5-7300U (2.6GHz/3.5GHz)
Chipset	SoC Integrated	SoC Integrated	SoC Integrated
Operating System	Win7 (32/64-bit), Win8, Win8.1. WEI8.1, WEC 2013, Win10 IoT Enterprise (32/64-bit)	Win7 32/64-bit, Win8, Win8.1. WEI8.1, WEC 2013 Win10 IoT Enterprise (32/64-bit)	Win10 IoT Enterprise (64-bit) Linux Fedora / Ubuntu (64-bit) (Installation)
Memory	2x DDR3L-1333 SO-DIMM Dual channel, Max. 8GB	1x DDR3L-1333 SO-DIMM, Max 8GB	2x DDR4-2133 SO-DIMM Dual channel, Max. 32GB
Graphics	Intel® Gen7 Graphics	Intel® HD Graphics	Intel® HD Graphics
Display	2x HDMI 1.4a	1x HDMI (C3 connector)	1x OPS 1x HDMI 1.4b
Video Capability	1x FHD	1x FHD	2x FHD or 1x 4K
Ethernet	1x Realtek RTL8111H-CG	1x Realtek RTL8111H-CG	1x Intel® I219LM LAN PHY for I5/I7 1x Intel® I219V LAN PHY for I3
Expansion Slots	1x Mini PCI-E (Full-size) 1x SIM card slot	1x mPCIe (x1) socket 1x mSATA socket for mSATA SSD	1x M.2 E-Key (2230)
USB	2x USB 2.0 1x USB 3.0	2x USB 2.0 (M12 connector)	4x USB 3.0
Storage	1x mSATA	1x mSATA	1x M.2 M-Key (2280)
iSMART	Yes	Yes	-
H/W EDID	-	-	-
HDMI-CEC	-	-	-
Fanless	Yes	Yes	-
Certification	CE, FCC class-B, VCCI, class-B, cULus, BSMI	CE, FCC class-B, cULus	CE, FCC class-B
Dimensions	190mm(W) x 130mm(D) x 19.5mm(H)	227mm(W) x 192mm(D) x 70mm(H)	200mm(W) x 119mm(D) x 30mm(H)
Weight	0.8kg (1.76lbs)	2.8kg	0.9kg (1.98lbs)
Operating Temperature	-30°C~ 60°C (-22°F~140°F)	-40°C~ 75°C (-40°F~167°F)	0°C~ 45°C (32°F~113°F)
Power Supply	60W power adaptor	Option	-
Page No.	p. 38	p. 42	p. 43



Comparison Table

All-in-One Bar-Type Signage Panel PC



Models	ARD-048-N	ARD-042-N	ARD-037-N	ARD-028-NRA
Mainboard	IB919AF-8365	IB811F-420	IB811F-420	IB811F-420
CPU	Intel® Core™ i5-8365UE Processor 1.6GHz~4.1GHz	Intel® Pentium® Quad-Core N4200 1.1GHz~2.5GHz	Intel® Pentium® Quad-Core N4200 1.1GHz~2.5GHz	Intel® Pentium® Quad-Core N4200 1.1GHz~2.5GHz
Chipset	SoC Integrated	SoC Integrated	SoC Integrated	SoC Integrated
Operating System	Win10 IoT Enterprise (64-bit) Linux Ubuntu (64-bit)	Win10 IoT Enterprise (32/64-bit)	Win10 IoT Enterprise (32/64-bit)	Win10 IoT Enterprise (32/64-bit)
Memory	2x DDR4L-2400 SO-DIMM Dual channel Max 32GB	2x DDR3L-1866 SO-DIMM Dual channel Max 8GB	2x DDR3L-1866 SO-DIMM Dual channel Max 8GB	2x DDR3L-1866 SO-DIMM Dual channel Max 8GB
Graphics	Intel® UHD Graphics 620	Intel® Gen9 Graphics	Intel® Gen9 Graphics	Intel® Gen9 Graphics
Display	1x HDMI 1.4b 1x DP 1.2	1x HDMI 1.4b 1x DP1.2	1x HDMI 1.4b 1x DP1.2	1x HDMI 1.4b 1x DP 1.2
Video Capability	1x 4K	1x FHD	1x FHD	1x FHD
Ethernet	1x Intel® I219LM (M12 connector)	1x Intel® I210IT 1x Intel® I210AT	1x Intel® I210IT 1x Intel® I210AT	1x Intel® I210IT 1x Intel® I210AT
Expansion Slots	1x M.2 E-Key (2230)	1x M.2 B-Key (3042)	1x M.2 B-Key (3042)	1x M.2 B-Key (3042)
USB	2x USB2.0 (M12 connector)	4x USB3.0	4x USB3.0	4x USB3.0
Storage	1x mSATA	1x mSATA	1x mSATA	1x mSATA
iSMART	-	-	-	-
H/W EDID	-	-	-	-
HDMI-CEC	-	-	-	-
Fanless	Yes	Yes	Yes	Yes
Certification	CE, FCC Class-B	CE, FCC Class-B	CE, FCC Class-B, cULus	CE, FCC class-B, cULus
Dimensions	1250mm(W) x 280mm(D) x 49.7mm(H)	928.10mm(W) x 66.50mm(D) x 281.90mm(H)	928.10mm(W) x 66.50mm(D) x 281.90mm(H)	729.10mm(W) x 54mm(D) x 170.80mm(H)
Weight	17.58kg (38.76lbs)	9.0kg (19.84lbs)	9.0kg (19.84lbs)	5.4kg (11.9lbs)
Operating Temperature	-25°C~ 40°C (-13°F~104°F)	0°C~ 40°C (32°F~104°F)	0°C~ 40°C (32°F~104°F)	-25°C ~ 55°C (-13°F ~ 131°F)
Power Supply	180W power adaptor	180W power adaptor	180W power adaptor	84W power adaptor
Page No.	p. 44	p. 45	p. 46	p. 47



Comparison Table

ARM-Based Signage Player



Models	ISR301	ISR215	SA-101-N
Mainboard	IBR210	IBR215	MBD101
CPU	NXP i.MX 8M - ARM Cortex-A53 Quad 1.3GHz	NXP i.MX 8M Plus - ARM Cortex-A53 Quad 1.6GHz	NXP i.MX 6Quad - ARM Cortex-A9 1GHz
Chipset	Integrated	Integrated	Integrated
Operating System	Yocto 2.5 Android 9 UBUNTU 18.04 evaluation Other OS supports by request	Yocto v3.0 Android 11 Other OS supports by request	Android 4.4.2
Memory	1x 3GB DDR4 on board	3GB LPDDR4 on board	DDR3L 2GB on board 533MHz, (1066MT/s)
Graphics	GC7000Lite OpenGL ES 1.1, 2.0, 3.0, 3.1, Open CL 1.2, and Vulkan	GC7000UL OpenGL ES 3.1, Vulkan Open CL™ 1.2 FP Vivante GC520L (2D)	2D+3D (2 /3 GPUs) (35Mtri/s / 200Mtri/s)
Display	1x HDMI 2.0a 1x Dual channel LVDS	1x HDMI 2.0a	1x Mini-HDMI
Video Capability	4Kp60	1080p60	1x FHD
Ethernet	1x RJ45 GbE LAN	2x RJ45 GbE LAN	None
Expansion Slots	1x M.2 E-Key (2230) w/ USB, SDIO, UART, PCI-E 1x Mini PCI-E (USB only) w/ SIM Socket	1x M.2 B-Key (3052) w/ SIM socket (for 5G)	1x MicroSD card slot (up to 32GB)
USB	2x USB 2.0 Type-A(Edge) 1x Mini-USB OTG(Edge)	2x USB 3.0 Type-A 1x Mini-USB OTG	1x USB 2.0 Type-A(Edge)
Storage	16GB eMMC on board (Default)	16GB eMMC on board (Default)	8GB eMMC(Default)
iSMART	-	-	-
H/W EDID	-	-	-
HDMI-CEC	-	-	-
Fanless	Yes	Yes	Yes
Certification	CE/ FCC Class-B	CE/ FCC Class-B	CE, FCC class A , VCCI class A, TELEC
Dimensions	172mm(W) x 162mm(D) x 36mm(H)	119mm(W) x 82mm(D) x 36mm(H)	85mm(W) x 45mm(D) x 15mm(H)
Weight	0.8kg (1.76lbs)	0.8kg (1.76lbs)	0.085kg (0.19lbs)
Operating Temperature	-10°C~ 60°C (14°F ~ 140°F)	-10°C~ 60°C (14°F ~ 140°F)	0°C~ 50°C (40°F ~ 122°F)
Power Supply	60W power adaptor	60W power adaptor	10W power adaptor
Page No.	p. 49	p. 48	p. 50



SI-624

Extreme Performance Video Wall Player

12th Gen Intel® Core™ Processors Video Wall Player
with MXM NVIDIA Graphics and Four DP



Features

- iSMART intelligent energy-saving & Observer remote monitoring technologies
- 12th Gen Intel® Core™ Processor
- NVIDIA MXM Graphics card
- 2x DDR5-4800 SO-DIMM, Max. 64GB
- 1x HDMI 1.4 for console, 4x DisplayPort
- 1x M.2 E-Key (2230) for Wi-Fi, Bluetooth or capture card options
- 1x M.2 B-Key (3052), for 5G options
- 2x 2.5" SATA III SSD drive bay
- Compact and rugged design

Specifications

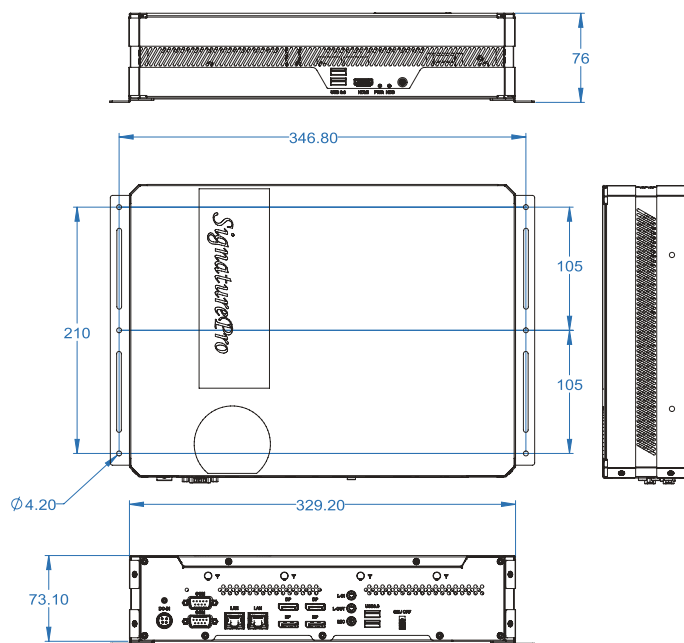
System Mainboard	MBD624
CPU	12th Gen Intel® ADL-PS Core™ processors
CPU Socket	LGA1151
Chipset	Q670 PCH
Memory	2x DDR4-3200 SO-DIMM, Max. 64GB
Graphics	NVIDIA MXM Graphics
LAN	2x Gigabit LAN
Expansion Slots	1x M.2 E-Key (2230) 1x M.2 B-Key (3052) 1x M.2 M-Key (2280/ Supports NVMe) 1x UIM/SIM card slot 1x MXM 3.1 Type-B
I/O Interface	1x HDMI 1.4 for console 4x DisplayPort 4x USB 3.0 2x RJ45 for Gigabit LAN 2x RJ45 for RS-232 serial port 1x Audio connector for Line-in/out/MIC 1x Power / HDD LED 1x Power button 1x Power jack connector
Auto Control and Monitoring	Watchdog Timer: 256 segments, 0, 1, 2...255 (sec/min)
Power Requirement	+19V DC
Construction	SGCC
Weight	TBD
Chassis Color	Black and white
Storage	2x 2.5" SATA III SSD drive bay
Power Supply	TBD
Mounting	Standard system bracket
Dimensions	329.2mm(W) x 210mm(D) x73.1mm(H) 129.6"(W) x 82.6"(D) x 28.7"(H)
Operating Temperature	0°C ~ 45°C (32°F ~ 113°F)
Storage Temperature	-20°C ~ 80°C (-4°F ~ 176°F)
Relative Humidity	5%~90% @45oC (non-condensing)
Vibration	SSD: 5 grms / 5~500Hz / random operation

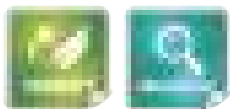
Certification	CE, FCC Class-B
Operating System	Windows 10 / Linux

Ordering Information

SI-624	Signage Player with MBD624 with 12th Gen Intel® Core™ processor, 1x Nvidia MXM GPU card, 128GB 2.5" SSD, 2x 8GB DDR4-3200 SO-DIMM 8GB and 270W power adaptor
--------	--

Dimensions





Specifications

System Mainboard	MBD614
CPU	7th Gen Intel® Core™ Desktop Processors
CPU Socket	LGA1151
Chipset	H110 PCH
Memory	2x DDR4-2133 SO-DIMM, Dual channel, Max. 32GB
Graphics	NVIDIA MXM Graphics
LAN	1x Intel® I219V Gigabit LAN controller
Expansion Slots	1x Mini PCI-E (full-size) 1x M.2 B-Key (3042) 2x 2.5" drive bay for SATA III SSD 1x SIM card slot
I/O Interface	1x HDMI 1.4 for console 4x DisplayPort 4x USB 3.0 1x RJ45 for Gigabit LAN 1x RJ45 for RS-232 serial port 1x Audio connector for Line-out 1x Power / HDD LED 1x Power button 1x Power jack connector 1x Terminal block for external power button
Auto Control and Monitoring	Watchdog Timer: 256 segments, 0, 1, 2...255 (sec/min)
Power Requirement	+19V DC
Construction	SGCC
Weight	3kg (6.6lbs)
Chassis Color	Black and white
Storage	1x M.2 M-Key (2280)
Power Supply	270W power adaptor
Mounting	Standard system bracket
Dimensions	256.4mm(W) x 173mm(D) x 73mm(H) 10.09"(W) x 6.81"(D) x 2.87"(H)
Operating Temperature	0°C~ 45°C (32°F~113°F)
Storage Temperature	-20°C ~ 80°C (-4°F~176°F)
Relative Humidity	5%~90% @45oC (non-condensing)
Vibration	SSD: 5 grms / 5~500Hz / random operation
Certification	CE, FCC Class-B, UL
Operating System	Windows 10 / Linux

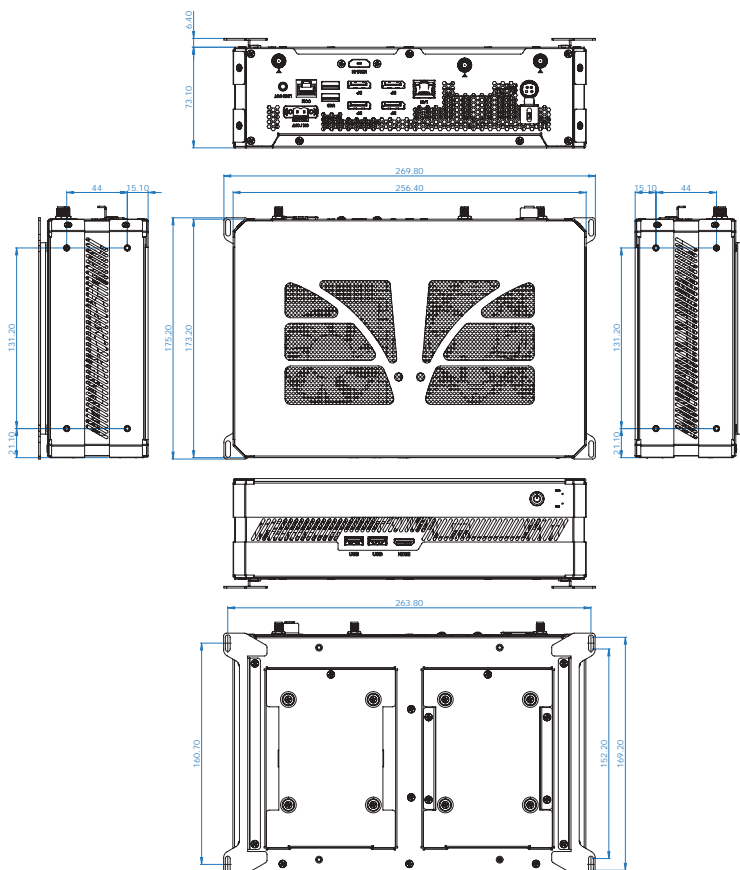
Features

- iSMART intelligent energy-saving & Observer remote monitoring technologies
- 7th Gen Intel® Core™ i7/i5/i3/ Pentium® / Celeron® Desktop Processors
- NVIDIA MXM Graphics card (Type-B, up to 150W)
- 2x DDR4-2133 SO-DIMM, Dual channel, Max. 32GB
- 1x HDMI 1.4 for console, 4x DisplayPort
- 1x Mini PCI-E (full-size) for Wi-Fi, Bluetooth, 4G LTE or capture card options
- 1x M.2 B-Key (3042) for 4G LTE options
- 2x 2.5" SATA III SSD drive bay
- Compact and rugged design

Ordering Information

SI-614	Signage Player with MBD614 with Intel® Core™ i5-7500 processor (8M cache, up to 3.4 GHz), 1x MXM NV1050 4GB 128bit/GDDR5 GPU card, 2x 8GB DDR4, 128GB 2.5" SSD & 270W power adaptor.
SI-614-M	Signage Player with MBD614, 270W PSU w/o CPU, MXM GPU card memory & storage.

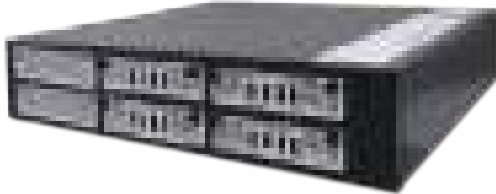
Dimensions



SP-63ER

Extreme Performance Video Wall Player

8th Gen Intel® Core™ Desktop Processor Video Wall Player
with MXM Graphics and up to Sixteen HDMI



SignaturePro



Features

- iSMART intelligent energy-saving & Observer remote monitoring technologies
- Perfect for displaying 8K/12K video wall or menu board contents
- Supports 8th Gen Intel® Core™ Desktop Processors
- Up to 16x HDMI 1.3 (w/o Audio) with built-in hardware EDID emulation function
- Various Video Wall combination settings
- Compact and Robust Design

Specifications

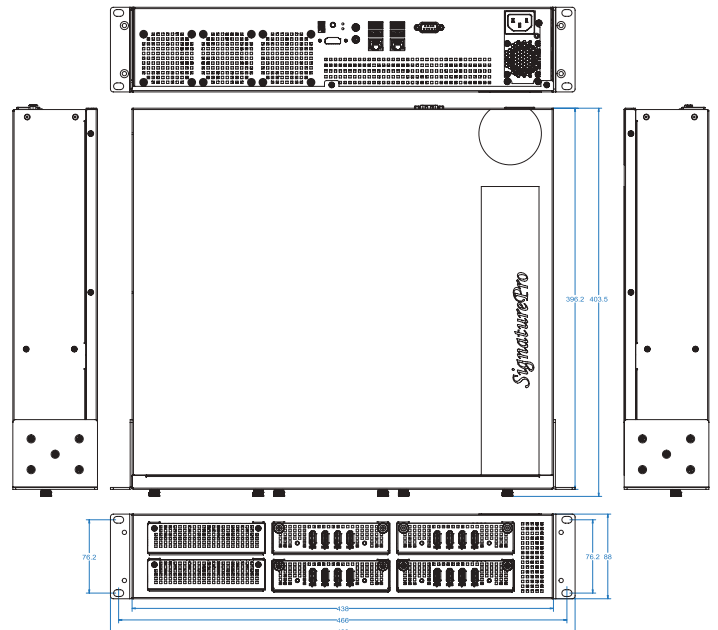
System Mainboard	MBD63E
CPU	8th Gen Intel® Core™ i7/i5/i3 Desktop Processors, up to 4.7GHz
CPU Socket	LGA1151
Chipset	Intel® Q370 PCH
Memory	2x DDR4-2666/ 2400 DIMM, Max. 64GB
Graphics	Intel® HD Graphics P630/ MXM GTX Graphics card
LAN	LAN 1: Intel® I219LM GbE LAN 2: Intel® I211AT/ I210AT GbE
Expansion Slots	1x Mini PCI-E 1x M.2 M-Key (2280) 1x M.2 E-Key (2230) 1x MXM slot (for NVIDIA Graphics card)
I/O Interface	Up to 16x HDMI 1.3 with hardware EDID emulation (with GTX1080 MXM Graphics card) 4x USB 3.1 ports 1x USB 3.0 ports 2x RJ45 for Gigabit LAN 1x D-Sub for RS232 2x Audio connectors for Line-out/Mic-in 1x Power/HDD LED 1x Power button 1x AC power inlet
Auto Control and Monitoring	Watchdog Timer: 256 segments, 0, 1, 2...255 (sec/min)
Power Requirement	AC 110V ~ 240V
Construction	SGCC
Weight	9.5Kg (20.9lbs)
Chassis Color	Black & white
Storage	2x SATA III 2.5" HDD Dock (supports RAID 1)
Power Supply	AC 110V~240V
Mounting	Standard system bracket
Dimensions	395mm(W) x 438mm(D) x 88mm(H) 15.5"(W) x 17.2"(D) x 3.46"(H)
Operating Temperature	0°C~ 45°C (32°F~113°F)
Storage Temperature	-20°C ~ 80°C (-4°F~176°F)
Relative Humidity	5~90% @ 45°C, (non-condensing)
Vibration	mSATA: 5 grms / 5~500Hz / random operation
Certification	CE, FCC Class-B, cULus
Operating System	Windows 10 IoT Enterprise(64-bit)

Ordering Information

SP-63ER-16

Intel® Core™ i7-8700 Processor (12M cache, up to 3.2GHz),
1x MXM NV GTX 1080 8G GDDR5X 256-bits GPU card, 16x
HDMI output, 2x 8GB DDR4-2666/2400 SO-DIMM, 2x 128GB
SATA III 2.5" HDD Dock, 850W PSU

Dimensions





Features

- iSMART intelligent energy-saving & Observer remote monitoring technologies
- 6x HDMI 1.4b with independent Audio output
- Built-in hardware EDID emulation function with software setting mode
- 7th/6th Gen Intel® Core™ Mobile Processors
- 2x DDR4-2133 SO-DIMM, Dual channel, Max. 32GB
- Flexible VW display configuration setting
- 1x Mini PCI-E (full-size) for Wi-Fi, Bluetooth, 4G LTE or capture card options
- 1x M.2 E-Key (2230) for Wi-Fi, Bluetooth
- 1x M.2 M-Key (2280) for storage
- 2x RS232 serial ports
- Slim and segregated ventilation design

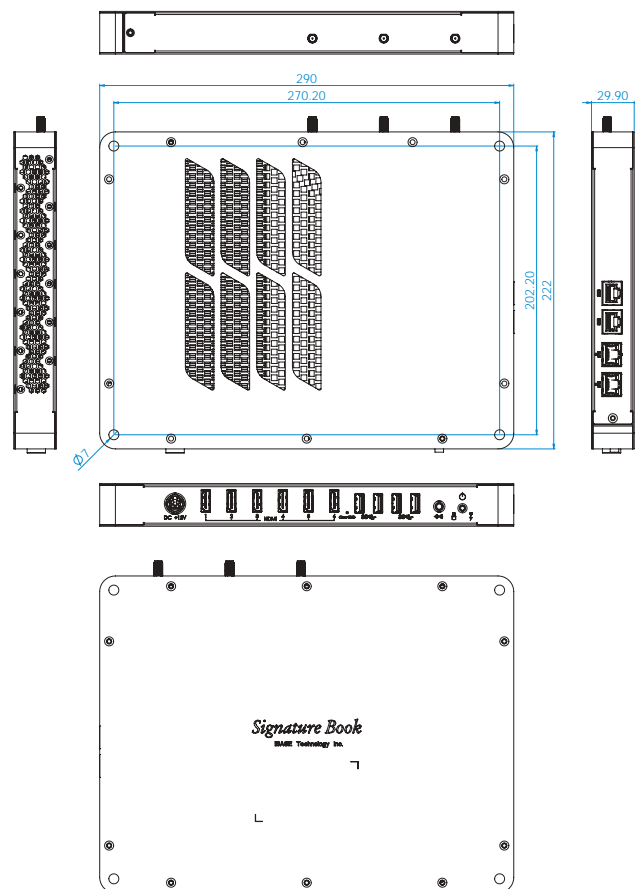
Specifications

System Mainboard	MBD626
CPU	7th/6th Gen Intel® Core™ Mobile Processors TDP <=35W
CPU Socket	FCBGA1440
Chipset	HM170/ QM170 PCH
Memory	2x DDR4-2133 SO-DIMM, Dual channel, Max. 32GB
Graphics	AMD Radeon™ E8860 GPU
LAN	2x Realtek RTL8111H-CG Gigabit LAN controller
Expansion Slots	1x Mini PCI-E (full-size) 1x M.2 E-Key (2230) 1x M.2 M-Key (2280) 1x SIM card slot
I/O Interface	6x HDMI 1.4 with hardware EDID emulation 4x USB 3.0 2x RJ45 for Gigabit LAN 2x RJ45 for RS-232 serial port 1x Audio connector for Line-out/Mic-in 1x Power / HDD LED 1x Power button 1x Power jack connector
Auto Control and Monitoring	Watchdog Timer: 256 segments, 0, 1, 2...255 (sec/min)
Power Requirement	+12V DC
Construction	Aluminum + SGCC
Weight	2.2 kg (4.85 lbs)
Chassis Color	Black and white
Storage	1x 2.5" SSD/HDD
Power Supply	150W power adaptor
Mounting	Standard system bracket
Dimensions	290mm(W) x 222mm(D) x 29.9mm(H) 11.41"(W) x 8.74"(D) x 1.17"(H)
Operating Temperature	0°C ~ 45°C (32°F ~ 113°F)
Storage Temperature	-20°C ~ 80°C (-4°F ~ 176°F)
Relative Humidity	5% ~ 90% @45°C (non-condensing)
Vibration	SSD: 5 grms / 5~500Hz / random operation
Certification	CE, FCC Class-B, cULus

Ordering Information

SI-626	Signage Player with MBD626 (w/ AMD E8860 GPU for 6x HDMI), with 6th Gen Intel® Core™ (Mobile) i7-7820EQ processor, 2x 4GB DDR4 SO-DIMM, 128GB SSD and 150W power adaptor
--------	--

Dimensions





Specifications

System Mainboard	MI998AF
CPU	9th/8th Gen Intel® Core™ Desktop Processors TDP <= 65W
CPU Socket	LGA1151
Chipset	Q370 PCH
Memory	2x DDR4 SO-DIMM, Max. 32GB (supports ECC by CPU SKU)
Graphics	Integrated Intel® HD Graphics P630
LAN	1x Intel® I219LM Gigabit LAN controller 1x Intel® I211AT/ I210AT PCI-E Gigabit LAN (as 2nd LAN)
Expansion Slots	1x M.2 E-Key (2230) 1x M.2 M-Key (2280) 1x PCI-E (x16) or 2x PCI-E (x8) based on PCI-E x16 connectors for Matrox / AMD / NVIDIA Graphics card
I/O Interface	Supports DVI-D, HDMI(1.4), DisplayPort(1.2) 6x USB 3.0, 2x USB 2.0 1x GPIO port 2x RJ45 for Gigabit LAN COM1 & COM2 for RS232/422/485 3x Microjack audio connectors for Mic, Line-in and Line-out 1x HDMI in for the capture card option 1x Power/ HDD LED, 1x power button 1x Terminal block for external power button 1x Reset button, 1x DC 12V output
Auto Control and Monitoring	Watchdog Timer: 256 segments, 0, 1, 2...255 (sec/min)
Power Requirement	AC 110V~240V
Construction	Aluminum + SGCC
Weight	8kg (17.64lbs)
Chassis Color	Black & white
Storage	2x 2.5" SATA SSD slots with RAID 1
Power Supply	Internal 500W PSU
Mounting	Standard system bracket
Dimensions	406mm(W) x 345mm(D) x 93mm(H) 17.16"(W) x 15.9"(D) x 3.66"(H)
Operating Temperature	0°C ~ 45°C (32°F ~ 113°F)
Storage Temperature	-20°C ~ 80°C (-4°F ~ 176°F)
Relative Humidity	10%~90% (non-condensing)

Features

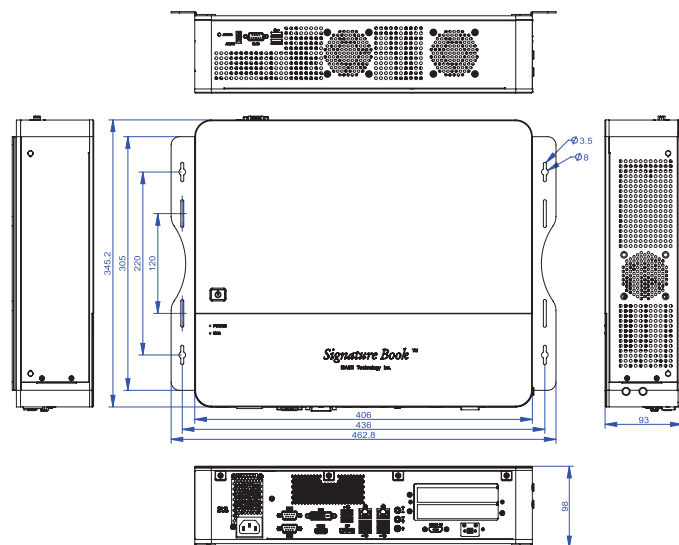
- 9th/8th Gen Intel® Core™ / Pentium® / Celeron® Desktop Processors
- 2x DDR4 SO-DIMM, Max. 32GB (supports ECC by CPU SKU)
- Intel® Processor integrated Graphics, supports DVI-D, HDMI, DisplayPort
- Dual Intel® Gigabit LAN
- 6x USB3.0, 2x USB2.0, 4x COM, 4x SATA III
- 1x M.2 E-Key (2230) for Wi-Fi, Bluetooth or capture card options
- 1x M.2 M-Key (2280) for Storage or other options
- Watchdog timer, Digital I/O, iAMT (11.6), TPM (2.0)
- 1x PCI-E (x16) or 2x PCI-E (x8) based on PCI-E x16 Connectors for Matrox / AMD / Nvidia GPU card options

Certification	CE, FCC class-B
Operating System	Windows® 10(64-bit) Ubuntu (64-bit)

Ordering Information

SI-62S	Signage Player with MI998AF with Intel® Core™ i7-8700 processor, 1x IP119 PCI-E (x16) riser card, 2x 8GB DDR4 memory, 1x 2.5" SSD 128GB & 500W PSU
SI-62S-2P	Signage Player with MI998AF with Intel® Core™ i7-8700 processor, 1x IP421 with 2x PCI-E x8 (PCI-E x16 connectors) riser card, 2x 8GB DDR4 memory, 1x 2.5" SSD 128GB & 500W PSU

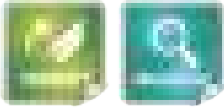
Dimensions



SI-30S

Extreme Performance Video Wall Player

AMD Ryzen™ 3000 Series Processor Video Wall Player
with 1x PCI-E (x16) or 2x PCI-E (x8) Slots



SI-30S VIDEO

Specifications

System Mainboard	MBD301
CPU	AMD Ryzen™ 3000 Series 9/7/5 Series Processors
CPU Socket	AM4
Chipset	AMD X470
Memory	2x DDR4-2400 SO-DIMM, Dual channel, Max. 64GB
Graphics	AMD Radeon™ Vega GPU integrated for APU series
LAN	1x Realtek RTL8111H-CG Gigabit LAN controller
Expansion Slots	1x PCI-E (x16) slot supports single at x16 (PCIe2) for AM4 Pure CPU series 1x PCI-E (x16) slot supports single at x8 (PCIe2) for AM4 APU series 1x M.2 E-Key (2230) 1x SIM card slot
I/O Interface	6x USB 3.1 1x DP 1x RJ45 for Gigabit LAN 1x COM#1 port for RS232/422/485 1x COM#2 port for RS232 only 3x Audio connectors for Line-out/Mic-in 1x Reset button 1x DC 12V output 1x Terminal block for external power button
Auto Control and Monitoring	Watchdog Timer: 256 segments, 0, 1, 2...255 (sec/min)
Power Requirement	AC 110V ~ 240V
Construction	Aluminum + SGCC
Weight	8.2Kg (18 lbs)
Chassis Color	Black & white
Storage	2x 2.5" SATA SSD (supports RAID 1)
Power Supply	Internal 500W PSU
Mounting	Standard system bracket
Dimensions	386mm(W) x 345mm(D) x 93mm(H) 15.20"(W) x 13.58"(D) x 3.66"(H)
Operating Temperature	0°C ~ 45°C (32°F ~ 113°F)
Storage Temperature	-20°C ~ 80°C (-4°F ~ 176°F)
Relative Humidity	10% ~ 90% (non-condensing)
Vibration	mSATA: 5 grms / 5 ~ 500Hz / random operation
Certification	CE, FCC Class-B
Operating System	Win10(64-bit) Enterprise

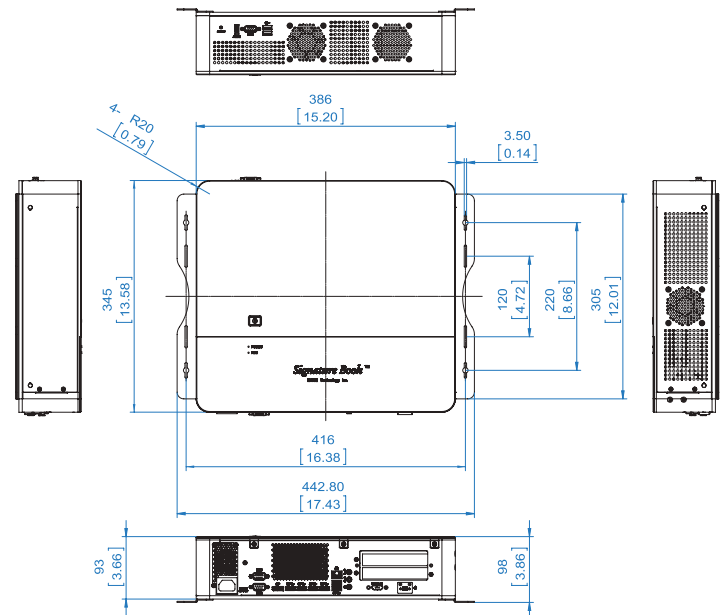
Features

- iSMART intelligent energy-saving & Observer remote monitoring technologies
- AMD Ryzen™ 3000 Series 9/7/5 series Processors
- 2x DDR4-2400 SO-DIMM, Dual channel; Max. 64GB
- 1x Mini PCI-E (full-size) for Wi-Fi, Bluetooth, 4G LTE or capture card options
- 1x M.2 E-Key (2230) for Wi-Fi, Bluetooth options
- 1x PCI-E (x16) or 2x PCI-E (x8) based on PCI-E x16 connectors for optional Matrox / AMD / NVIDIA GPU cards

Ordering Information

SI-30S	Signage Player with MBD301 AMD® Ryzen™ 1700x processor (20MB cache, up to 3.7 GHz), 2x 8GB DDR4-2400 SO-DIMM, 2.5" SSD 128GB & 500W PSU.
--------	--

Dimensions



SI-664-N

Mid-Range Signage Player

12th Gen Intel® Core™ Processor Fanless Signage Player
with Intel® SoC Integrated Graphics and Four HDMI 2.0



Coming soon

Features

- iSMART intelligent energy-saving technology - enables power on/off scheduling and power resume functions
- 12th Gen Intel® Core™ processor
- 4x HDMI 2.0 with independent audio output
- Built-in hardware EDID emulation function
- HDMI-CEC and display monitoring functions
- 2x DDR5-4800 SO-DIMM, dual channel, Max. 64GB
- 1x M.2 B-Key (3052) for 5G
- 1x M.2 E-key (2230) for WiFi, Bluetooth or capture card options
- TPM 2.0, vPro and watchdog timer
- Industrial-grade robust, fanless and compact design

Specifications

System Mainboard	MBD664
CPU	12th Gen Intel® Core™ processor
CPU Socket	LGA1700
Chipset	Integrated
Memory	2x SO-DIMM DDR5 4800Hz, Max. 64GB
Graphics	Intel® Iris Xe Graphics, Up to 96EU
LAN	2 x LAN
Expansion Slots	1x M.2 socket (Mechanical M-key, type 2280, supports NVMe) w/ 4x PCI-E storage & SATA 1x M.2 socket (Mechanical E-key, type 2230, supports CNVi) w/ 1x PCI-E & USB 2.0 1x M.2 socket (Mechanical B-key, type 3052, supports 5G, 1x PCI-E, USB 2.0 and 3.0) 1x UIM/SIM card slot
I/O Interface	4x HDMI 2.0 3x USB 3.1 @gen 2 (USB A-Type) 2x RJ45 for Gigabit LAN 1x RJ45 for RS232 serial port 1x Audio connectors for Line out 1x Power Button 1x Power Jack (+12V DC) 2x LED for Power & Storage
Auto Control and Monitoring	Watchdog Timer: 256 segments, 0, 1, 2...255 (sec/min)
Power Requirement	+12V DC
Construction	Aluminum + SGCC
Weight	TBD
Chassis Color	Black & White
Storage	1x M.2 E-key (2280)
Power Supply	84W power adaptor
Mounting	Standard system bracket
Dimensions	TBD
Operating Temperature	0°C~ 45°C (32°F~113°F)
Storage Temperature	-20° ~ 80°C (-4°F~176°F)
Relative Humidity	10%~90% (non-condensing)
Vibration	M.2: 5 grms / 5~500Hz / random operation
Certification	CE, FCC Class B, cULus & CCC
Operating System	Windows 10 IoT Enterprise RS5 64-bit Linux Ubuntu 64-bit

Ordering Information

SI-664-N	12th Gen Intel® Core™ Processor, 2x 4GB DDR5 4800 SO-DIMM memory, M.2 128GB and 84W power adaptor
SI-MK3	VESA bracket



Specifications

System Mainboard	MBD654
CPU	11th Gen Intel® Core™ / Celeron® U-Series (TGL-U Platform) Processors
CPU Socket	BGA-1449
Chipset	SoC Integrated
Memory	2x DDR4-3200 SO-DIMM, Dual channel, Max. 64GB
Graphics	Gen12 integrated Graphics, Up to 96EU
LAN	1st: 1x Intel® I211AT/ I210AT 2nd: 1x Intel® I219LM (I7/I5) 1x Intel® I219V (I3)
Expansion Slots	1x M.2 E-Key (2230) 1x M.2 B-Key (3042) 1x UIM/SIM card slot
I/O Interface	4x HDMI 2.0 1x USB 2.0 (USB A-Type) 3x USB 3.1 @gen 2 (USB A-Type) 2x RJ45 for Gigabit LAN 1x RJ45 for RS232 serial port 1x Audio connector for Line-out 1x Power button 1x Power jack (+12V DC) 2x Power/HDD LED
Auto Control and Monitoring	Watchdog Timer: 256 segments, 0, 1, 2...255 (sec/min)
Power Requirement	+12V DC
Construction	Aluminum + SGCC
Weight	1.8 kg (3.7 lbs)
Chassis Color	Black & White
Storage	1x M.2 M-Key (2280) supports NVMe (PCI-E x4 / SATA)
Power Supply	84W power adaptor
Mounting	Standard system bracket
Dimensions	200.8mm(W) x 139.3mm(D) x 41.2mm(H) 7.90"(W) x 5.48"(D) x 1.62"(H)
Operating Temperature	0°C ~ 45°C (32°F ~ 113°F)
Storage Temperature	-20° ~ 80°C (-4°F ~ 176°F)
Relative Humidity	10%~90% (non-condensing)
Vibration	M.2: 5 grms / 5~500Hz / random operation
Certification	CE, FCC Class-B, UKCA, cULus, LVD
Operating System	Windows 10 IoT Enterprise RS5(64-bit) Linux Ubuntu(64-bit)

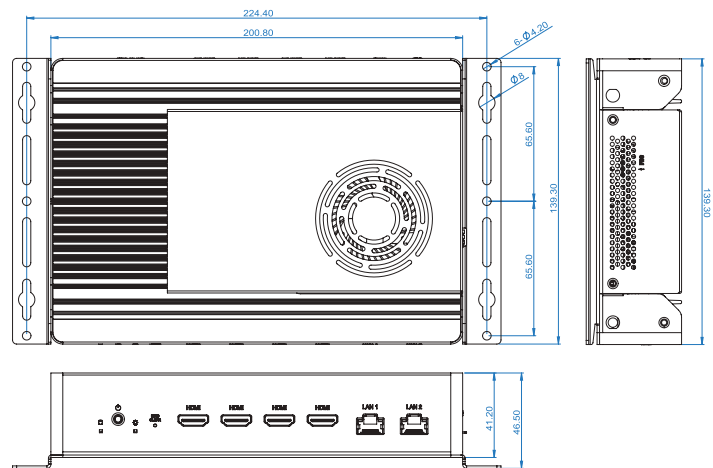
Features

- iSMART intelligent energy-saving & Observer remote monitoring technologies
- 11th Gen Intel® Core™ U-Series Processors
- 4x HDMI 2.0 with independent audio output
- Built-in CEC and hardware EDID emulation functions with the software setting mode
- 2x DDR4-3200 SO-DIMM, Dual channel, Max. 64GB
- 1x M.2 B-Key (3042) for 4G LTE options
- 1x M.2 E-Key (2230) for Wi-Fi, Bluetooth or capture card options
- 1x M.2 M-Key (2280) for storage
- Supports Intel® iAMT(11.0), TPM 2.0 and watchdog timer
- Slim and segregated ventilation design

Ordering Information

SI-654-I7	Intel® Core™ i7-1185G7E processor (12M Cache, up to 4.40 GHz), 2x 4GB DDR4-3200 SO-DIMM, M.2 128GB and 84W power adaptor
SI-654-I5	Intel® Core™ i5-1145G7E processor (8M Cache, up to 4.1 GHz), 2x 4GB DDR4-3200 SO-DIMM, M.2 128GB and 84W power adaptor
SI-654-I3	Intel® Core™ i3-1115G4E processor (6M Cache, up to 3.9 GHz), 2x 4GB DDR4-3200 SO-DIMM, M.2 128GB and 84W power adaptor
SI-MK3B	TV Mount

Dimensions



SI-654-N

Mid-Range Signage Player

11th Gen Intel® Core™ U-Series Processor Fanless Signage Player with Intel® SoC Integrated Graphics and Four HDMI 2.0



SI-654-N VIDEO

Features

- iSMART intelligent energy-saving & Observer remote monitoring technologies
- 11th Gen Intel® Core™ U-Series Processors
- 4x HDMI 2.0 with independent audio output
- Built-in CEC and hardware EDID emulation functions with the software setting mode
- 2x DDR4-3200 SO-DIMM, Dual channel, Max. 64GB
- 1x M.2 B-Key (3042) for 4G LTE options
- 1x M.2 E-Key (2230) for Wi-Fi, Bluetooth or capture card options
- 1x M.2 M-Key (2280) for storage
- Supports Intel® iAMT(11.0), TPM 2.0 and watchdog timer
- Industrial-grade robust fanless design

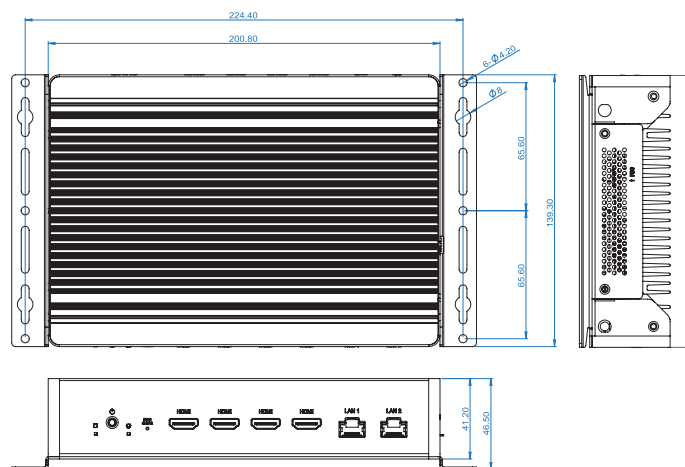
Specifications

System Mainboard	MBD654
CPU	11th Gen Intel® Core™ / Celeron® U-Series (TGL-U Platform) Processors TDP <= 15W
CPU Socket	BGA-1449
Chipset	SoC Integrated
Memory	2x DDR4-3200 SO-DIMM, Dual channel, Max. 64GB
Graphics	Gen12 integrated Graphics, Up to 96EU
LAN	1st: 1x Intel® I211AT/ I210AT 2nd: 1x Intel® I219LM (I7/I5) 1x Intel® I219V (I3)
Expansion Slots	1x M.2 E-Key (2230) 1x M.2 B-Key (3042) 1x UIM/SIM card slot
I/O Interface	4x HDMI 2.0 1x USB 2.0 (USB A-Type) 3x USB 3.1 @gen 2 (USB A-Type) 2x RJ45 for Gigabit LAN 1x RJ45 for RS232 serial port 1x Audio connector for Line-out 1x Power button 1x Power jack (+12V DC) 2x Power/HDD LED
Auto Control and Monitoring	Watchdog Timer: 256 segments, 0, 1, 2...255 (sec/min)
Power Requirement	+12V DC
Construction	Aluminum + SGCC
Weight	1.7 kg (3.7 lbs)
Chassis Color	Black & White
Storage	1x M.2 M-Key (2280) supports NVMe
Power Supply	84W power adaptor
Mounting	Standard system bracket
Dimensions	200.8mm(W) x 139.3mm(D) x 41.2mm(H) 7.90"(W) x 5.48"(D) x 1.62"(H)
Operating Temperature	0°C ~ 45°C (32°F ~ 113°F)
Storage Temperature	-20° ~ 80°C (-4°F ~ 176°F)
Relative Humidity	10%~90% (non-condensing)
Vibration	M.2: 5 grms / 5~500Hz / random operation
Certification	CE, FCC Class-B, UKCA, cULus, CCC, LVD
Operating System	Windows 10 IoT Enterprise RS5(64-bit) Linux Ubuntu(64-bit)

Ordering Information

SI-654-N7	Intel® Core™ i7-1185G7E processor (12M Cache, up to 4.40 GHz), 2x 4GB DDR4-3200 SO-DIMM, M.2 128GB and 84W power adaptor, TDP <= 15W
SI-654-N5	Intel® Core™ i5-1145G7E processor (8M Cache, up to 4.1 GHz), 2x 4GB DDR4-3200 SO-DIMM, M.2 128GB and 84W power adaptor, TDP <= 15W
SI-654-N3	Intel® Core™ i3-1115G4E processor (6M Cache, up to 3.9 GHz), 2x 4GB DDR4-3200 SO-DIMM, M.2 128GB and 84W power adaptor, TDP <= 15W
SI-MK3B	TV Mount

Dimensions



SI-642-N

Mid-Range Signage Player

8th Gen Intel® Core™ U-Series Processor Fanless Signage Player with Intel® UHD Graphics 620 and one HDMI & DP



Features

- iSMART intelligent energy-saving & Observer remote monitoring technologies
- 8th Gen Intel® Core™ U-Series Processors
- 1x HDMI 2.0 + 1x Active DisplayPort 1.2 with independent audio output
- 2x DDR4-2400 SO-DIMM, Dual channel, Max. 32GB
- 1x M.2 B-Key (3042) for 4G LTE options
- 1x M.2 E-Key (2230) for Wi-Fi or Bluetooth card options
- 1x M.2 M-Key (2280) for storage
- TPM 2.0, vPro and watchdog timer
- Slim & compact fanless design

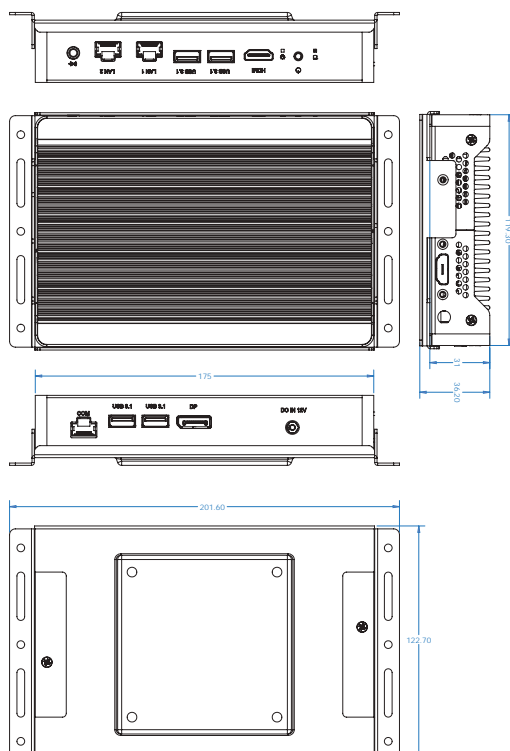
Specifications

System Mainboard	MBD642
CPU	8th Gen Intel® Core™ U-Series Processors TDP ≤ 25W
CPU Socket	FCBGA1528
Chipset	SoC Integrated
Memory	2x SO-DIMM DDR4-2400Hz, Dual channel, Max. 32GB
Graphics	Intel® UHD Graphics 620
LAN	1x Intel® I219LM Gigabit LAN 1x Intel® I211AT/ I210AT Gigabit LAN
Expansion Slots	1x B-Key (3042) 1x E-Key (2230)
I/O Interface	1x HDMI 2.0 1x DP 4x USB 3.1 (Gen2) 2x RJ45 for Gigabit LAN 1x RJ45 for RS232 serial port
Auto Control and Monitoring	Watchdog Timer: 256 segments, 0, 1, 2...255 (sec/min)
Power Requirement	+12V DC
Construction	Aluminum + SGCC
Weight	1 kg (2.20 lbs)
Chassis Color	Black & White
Storage	1x M.2 E-Key (2280)
Power Supply	60W power adaptor
Mounting	Standard system bracket
Dimensions	175mm(W) x 119.3mm(D) x 31mm(H) 6.88"(W) x 4.69"(D) x 1.22"(H)
Operating Temperature	0°C ~ 45°C (32°F ~ 113°F)
Storage Temperature	-20° ~ 80°C (-4°F ~ 176°F)
Relative Humidity	10%~90% (non-condensing)
Vibration	M.2: 5 grms / 5~500Hz / random operation
Certification	CE, FCC Class-B, cULus, CCC, LVD
Operating System	Windows 10 IoT Enterprise RS5(64-bit) Linux Ubuntu(64-bit)

Ordering Information

SI-642-NT	Intel® Core™ i7-8665UE processor (8M Cache, up to 4.40 GHz), 2x 4GB DDR4-2400 SO-DIMM, M.2 128GB and 60W power adaptor
SI-642-N8365T	Intel® Core™ i5-8365UE processor (6M Cache, up to 4.10 GHz), 2x 4GB DDR4-2400 SO-DIMM, M.2 128GB and 60W power adaptor
SI-642-N8145T	Intel® Core™ i3-8145UE processor (4M Cache, up to 3.90 GHz), 2x 4GB DDR4-2400 SO-DIMM, M.2 128GB and 60W power adaptor
SI-642-N4305T	Intel® Celeron® processor 4305UE (2M Cache, 2.00 GHz), 2x 4GB DDR4-2400 SO-DIMM, M.2 128GB and 60W power adaptor
SI-MK3C	VESA bracket

Dimensions



SI-623-N

Mid-Range Signage Player

7th/6th Gen Intel® Core™ Mobile Processor Fanless Signage Player with Intel® HD Graphics 530 and Three HDMI



SI-623-N VIDEO



Features

- iSMART intelligent energy-saving & Observer remote monitoring technologies
- iAMT(11.0), TPM1.2, vPro and watchdog timer
- 7th/6th Gen Intel® Core™ Mobile Processors
- Integrated Intel® HD Graphics 530
- 2x DDR4-2133 SO-DIMM, Dual channel, Max. 32GB
- 1x HDMI 2.0 + 2x HDMI 1.4 with independent audio output
- Built-in hardware EDID emulation function
- 1x M.2 B-Key (3042) for storage or 4G LTE options
- 1x M.2 M-Key (2280) for storage
- 1x Mini PCI-E (full-size) for Wi-Fi, Bluetooth or 4G LTE
- Compact and fanless design

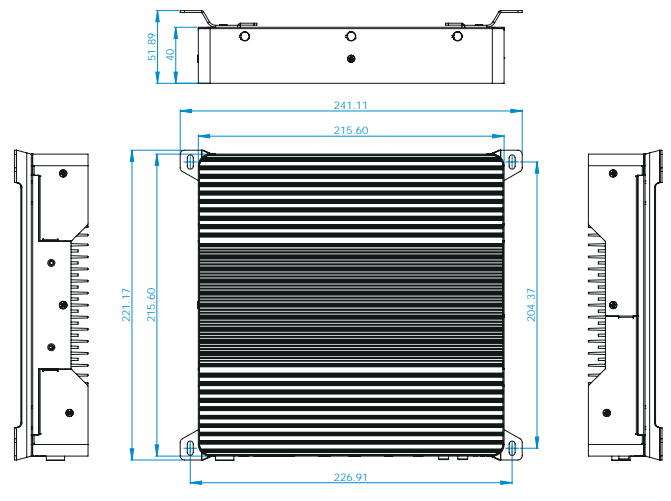
Specifications

System Mainboard	MBD623
CPU	7th/6th Gen Intel® Core™ Mobile Processors TDP <=35W
CPU Socket	FCBGA1440
Chipset	HM170/ QM170 PCH
Memory	2x DDR4-2133 SO-DIMM, Dual channel, Max. 32GB
Graphics	Intel® HD Graphics 530
LAN	1x Intel® I219LM Gigabit LAN controller for QM170 1x Intel® I219V Gigabit LAN controller for HM170
Expansion Slots	1x M.2 B-Key (3042) 1x M.2 M-Key (2280) 1x Mini PCI-E (full-size) 1x SIM card slot
I/O Interface	1x HDMI 2.0 + 2x HDMI 1.4 with hardware EDID emulation 2x USB 3.0, 2x USB 2.0 1x RJ45 for Gigabit LAN 1x RJ45 for RS-232 serial port 2x Audio connectors for Line-out/Mic-in 1x Power / HDD LED 1x Power button 1x Power jack connector
Auto Control and Monitoring	Watchdog Timer: 256 segments, 0, 1, 2...255 (sec/min)
Power Requirement	+12V DC
Construction	Aluminum + SGCC
Weight	2.4 kg (5.29 lbs)
Chassis Color	Black and white
Storage	1x 2.5" SATA HDD/SSD
Power Supply	84W power adaptor
Mounting	Slim design with wall mounting holes
Dimensions	215.6mm(W) x 215.6mm(D) x 40mm(H) 8.49"(W) x 8.49"(D) x 1.57"(H)
Operating Temperature	0°C~ 45°C (32°F~113°F)
Storage Temperature	-20°C ~ 80°C (-4°F~176°F)
Relative Humidity	5%~90% @45°C (non-condensing)
Vibration	SSD: 5 grms / 5~500Hz / random operation
Certification	CE, FCC Class-B, cULus, LVD
Operating System	Win7(64-bit), Win8.1(64-bit) & Win10(64-bit) Enterprise, Linux Fedora / Ubuntu(64-bit) (Installation)

Ordering Information

SI-623-N	Book-Size Signage Player with MBD623 Intel® Core™ i7-6822EQ processor (8M Cache, up to 2.80 GHz), 2x 4GB DDR4-2133 SO-DIMM, 2.5" SATA SSD 128GB and 84W power adaptor
SI-MK3A	Mounting bracket

Dimensions



SI-613

Mid-Range Signage Player

7th/6th Gen Intel® Core™ Desktop Processor Signage Player with Intel® HD Graphics 530 and Three HDMI



SI-613 VIDEO



COMPUTEX
d&i awards 2016
by ifi

Specifications

System Mainboard	MBD613
CPU	7th/6th Gen Intel® Desktop Processors (14nm monolithic) TDP <=65W
CPU Socket	LGA1151(Socket H4)
Chipset	H170/Q170 PCH
Memory	2x DDR4-2133 SO-DIMM, Dual channel, Max. 32GB
Graphics	Integrated Intel® HD Graphics 530
LAN	1x Intel® I219LM Gigabit LAN controller for Q170 1x Intel® I219V Gigabit LAN controller for H170
Expansion Slots	1x M.2 B-Key (3042) 1x Mini PCI-E (full-size) 1x SIM card slot
I/O Interface	3x HDMI 2.0 with hardware EDID emulation 2x USB 3.0 2x USB 2.0 1x RJ45 for Gigabit LAN 1x RJ45 for RS-232 serial port 2x Audio connectors for Line-out/Mic-in 1x Power / HDD LED 1x Power button 1x Power jack connector
Auto Control and Monitoring	Watchdog Timer: 256 segments, 0,1,2...255 (sec/min)
Power Requirement	+12V DC
Construction	Aluminum + SGCC
Weight	2.2 kg (4.85 lbs)
Chassis Color	Black & white
Storage	1x M.2 M-Key (2280)
Power Supply	150W power adaptor
Mounting	Slim design with wall mounting holes
Dimensions	215.6mm(W) x 215.6mm(D) x 40mm(H) 8.49"(W) x 8.49"(D) x 1.57"(H)
Operating Temperature	0°C ~ 45 °C (32 ~ 113 °F) (CPU TDP <=45W) 0°C ~ 40°C (32°F~104°F) (CPU TDP=65W)
Storage Temperature	-20°C ~ 80°C (-4°F~176°F)
Relative Humidity	5~90% @ 45°C, (non-condensing)
Vibration	M.2: 5 grms / 5~500Hz / random operation
Certification	CE, FCC Class-B, cULus, BSMI, LVD
Operating System	Win7 32/64-bit, Win8.1(64-bit), Win10(64-bit) Enterprise

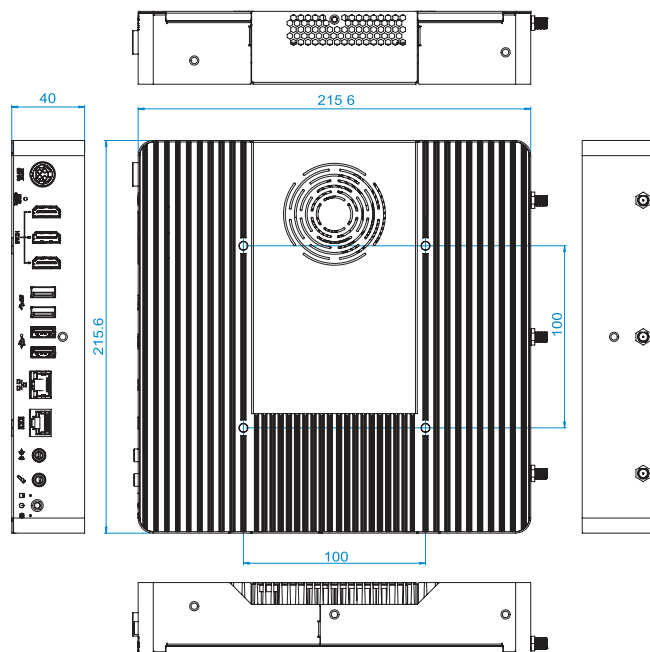
Features

- iSMART intelligent energy-saving & Observer remote monitoring technologies
- iAMT (11.0), TPM 1.2, vPro and watchdog timer
- 7th/6th Gen Intel® Core™ Desktop Processors
- Integrated Intel® HD Graphics 530
- 3x HDMI 2.0 with independent audio output
- Built-in hardware EDID emulation function
- 2x DDR4-2133 SO-DIMM, Dual channel, Max. 32GB
- 1x M.2 B-Key (3042) for storage or 4G LTE option
- 1x Mini PCI-E (full-size) for Wi-Fi, Bluetooth or 4G LTE

Ordering Information

SI-613-QT	Book-Size Signage Player with MBD613-QT (Q170) with Intel® Core™ i7-6700 processor (8M Cache, up to 4.00 GHz), 2x 4GB DDR4-2133 SO-DIMM, M.2 64GB & 150W power adaptor
SI-MK3A	Mounting bracket

Dimensions



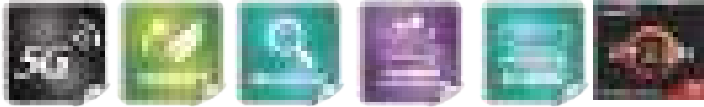
ES France - Mobilité & Systèmes Embarqués
127 rue de Buzenval BP 26 - 92380 Garches



Tél. 01 47 95 99 80
Fax. 01 47 01 16 22



e-mail : mse@es-france.com
Site Web : www.es-france.com



Features

- AMD Ryzen™ Embedded V2000 Series Processors
- Vega GPU with up to 7 Compute units
- 4x HDMI 2.0 with independent audio output support
- iSMART intelligent energy-saving & Observer remote monitoring technologies
- Built-in CEC and hardware EDID emulation functions with the software setting mode
- 2x DDR4-3200 SO-DIMM, dual channel, Max. 64GB
- 1x M.2 B-Key for 5G or LTE options
- 1x M.2 E-Key for Wi-Fi, Bluetooth or capture card options
- 1x M.2 M-Key for storage
- Supports TPM 2.0 and watchdog timer
- Slim and segregated flow ventilation design

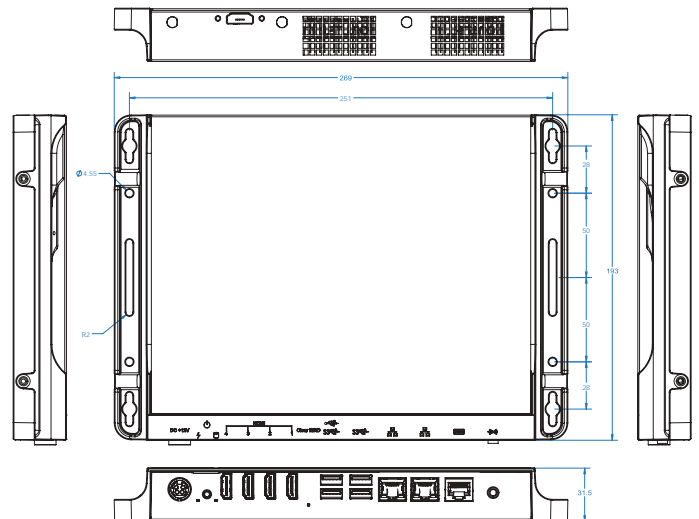
Specifications

System Mainboard	MBD334
CPU	AMD Ryzen™ Embedded V2000 Series Processors
CPU Socket	FP6 BGA package, 25mm x 35mm
Chipset	SoC integrated
Memory	2x DDR4-3200, SO-DIMM, Dual channel, Max. 64GB
Graphics	Next-gen AMD Vega GPU integrated
LAN	2x Realtek RTL8111H-CG Gigabit LAN controller
Expansion Slots	1x M.2 E-Key (2230) 1x M.2 B-Key (3052) 1x UIM/SIM card slot
I/O Interface	4x HDMI 2.0 with hardware EDID emulation & CEC function 3x USB 3.1 @gen 2 (USB Type-A) 2x RJ45 for Gigabit LAN 1x RJ45 for RS-232 serial port 1x Audio connector for Line-out 1x Power button 1x Power jack (+12V DC) 2x Power/HDD LED
Auto Control and Monitoring	Watchdog Timer: 256 segments, 0, 1, 2...255 (sec/min)
Power Requirement	+12V DC-in
Construction	Aluminum + SGCC
Weight	2.1 kg (4.63 lbs)
Chassis Color	Black & white
Storage	1x M.2 M-Key (2280)
Power Supply	150W power adaptor
Mounting	Slim design with wall mounting holes
Dimensions	269mm(W) x 193mm(D) x 31.5mm(H) 10.59"(W) x 7.59"(D) x 1.24"(H)
Operating Temperature	0°C ~ 45°C (32°F ~ 113°F)
Storage Temperature	-20°C ~ 80°C (-4°F ~ 176°F)
Relative Humidity	10%~90% (non-condensing)
Vibration	M.2: 5 grms / 5~500Hz / random operation
Certification	CE, FCC Class A, UKCA, cULus, CCC
Operating System	Win11 IoT Enterprise(64-bit) Win10 IoT Enterprise(64-bit) Linux Ubuntu(64-bit)

Ordering Information

SI-334	Signage Player with MBD334 w/ AMD Ryzen™ Embedded V2748 4.25GHz/2.9GHz; 2x 4GB DDR4-3200 SO-DIMM, M.2 128GB, 150W power adaptor
SI-334-46	Signage Player with MBD334 w/ AMD Ryzen™ Embedded V2546, 3.95GHz/3.0GHz; 2x 4GB DDR4-3200 SO-DIMM memory, M.2 128GB, 150W power adaptor
SI-MK3A	Mounting bracket
SI-1U-AD	1U Rackmount kit
HDMI Cable Holder	SI-334 HDMI bracket kit

Dimensions



SI-324

Mid-Range Signage Player

AMD Ryzen™ Embedded V1000 Series Signage Player
with AMD Vega GPU and Four HDMI



SI-324 VIDEO



Features

- iSMART intelligent energy-saving & Observer remote monitoring technologies
- AMD Ryzen™ Embedded V1000 Series Processors
- Vega GPU with up to 11 compute units
- 4x HDMI 2.0 with independent Audio output support
- Built-in hardware EDID emulation function with the software setting mode
- 2x DDR4-2400 SO-DIMM, Dual channel, Max. 32GB
- 1x Mini PCI-E (full-size) for Wi-Fi, Bluetooth, 4G LTE or capture card options
- 1x M.2 E-Key (2230) for Wi-Fi and Bluetooth options
- 1x M.2 M-Key (2280) for storage
- Segregated flow ventilation design

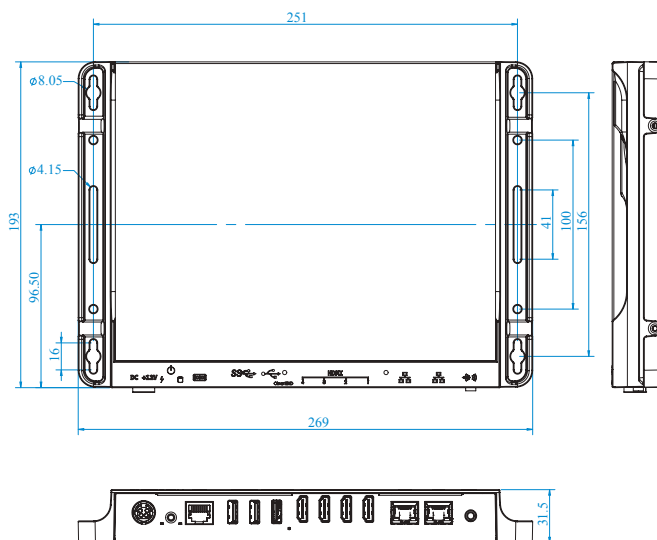
Specifications

System Mainboard	MBD324
CPU	AMD Ryzen™ Embedded V1000 Series Processors
CPU Socket	FP5 BGA package, 37x29mm
Chipset	SoC integrated
Memory	2x DDR4-2400 SO-DIMM, Dual channel, Max. 32GB
Graphics	Next-gen AMD Vega GPU integrated
LAN	2x Realtek RTL8111H-CG Gigabit LAN controller
Expansion Slots	1x Mini PCI-E (full-size) 1x M.2 E-Key (2230) 1x SIM card slot
I/O Interface	4x HDMI 2.0 with hardware EDID emulation 2x USB 3.0, 1x USB 2.0 2x RJ45 for Gigabit LAN 1x RJ45 for RS-232 serial port 1x Audio connectors for Line-out 1x Power / HDD LED 1x Power button 1x Power jack connector
Auto Control and Monitoring	Watchdog Timer: 256 segments, 0, 1, 2...255 (sec/min)
Power Requirement	+12V DC-in
Construction	Aluminum + SGCC
Weight	2.1 kg (4.63 lbs)
Chassis Color	Black & white
Storage	1x M.2 M-Key (2280)
Power Supply	150W power adaptor
Mounting	Slim design with wall mounting holes
Dimensions	269mm(W) x 193mm(D) x 31.5mm(H) 10.59"(W) x 7.59"(D) x 1.24"(H)
Operating Temperature	0°C ~ 45°C (32°F ~ 113°F)
Storage Temperature	-20°C ~ 80°C (-4°F ~ 176°F)
Relative Humidity	10%~90% (non-condensing)
Vibration	M.2: 5 grms / 5~500Hz / random operation
Certification	CE, FCC Class-B, cULus, CCC
Operating System	Win10 IoT Enterprise (64-bit) Linux Ubuntu (64-bit)

Ordering Information

SI-324	Signage Player with MBD324 w/ AMD Ryzen™ Embedded V1807B 3.35GHz/3.8GHz ; 2x 4GB DDR4-2400 SO-DIMM, M.2 128GB, 150W power adaptor
SI-324-16	Signage Player with MBD324 w/ AMD Ryzen™ Embedded V1605B 2.0GHz/3.6GHz ; 2x 4GB DDR4-2400 SO-DIMM, M.2 128GB, 150W power adaptor
SI-MK3A	Mounting bracket
SI-1U-AD	1U Rackmount kit
HDMI Cable Holder	SI-304/SI-324 HDMI bracket kit

Dimensions



ES France - Mobilité & Systèmes Embarqués
127 rue de Buzenval BP 26 - 92380 Garches



Tél. 01 47 95 99 80
Fax. 01 47 01 16 22



e-mail : mse@es-france.com
Site Web : www.es-france.com

SI-324-N

Mid-Range Signage Player

AMD Ryzen™ Embedded R2000 / V1000 Series
Fanless Signage Player with AMD Vega GPU and Four HDMI



SI-324-N VIDEO

Specifications

System Mainboard	MBD324
CPU	AMD Ryzen™ Embedded V1000 2.0GHz/3.6GHz or R2000 2.1GHz/3.5GHz Processors (TDP <= 25W)
CPU Socket	FP5 BGA package, 35mm x 25mm, 0.8mm pitch
Chipset	SoC integrated
Memory	2x DDR4-2400 SO-DIMM, Dual channel, Max. 32GB
Graphics	Next-Gen AMD Radeon™ HD GPU integrated
LAN	2x Realtek RTL8111H-CG Gigabit LAN controller
Expansion Slots	1x Mini PCI-E (full-size) 1x M.2 E-Key (2230) 1x SIM card slot
I/O Interface	4x HDMI 2.0 with hardware EDID emulation 2x USB 3.0, 1x USB 2.0 2x RJ45 for Gigabit LAN 1x RJ45 for RS-232 serial port 1x Audio connectors for Line-out 1x Power / HDD LED 1x Power button 1x Power jack connector
Auto Control and Monitoring	Watchdog Timer: 256 segments, 0, 1, 2...255 (sec/min)
Power Requirement	+12V DC-in
Construction	Aluminum + SGCC
Weight	1.5kg (3.31lbs)
Chassis Color	Black & white
Storage	1x M.2 M-Key (2280) (SATA signal only)
Power Supply	84W power adaptor
Mounting	Standard system bracket
Dimensions	215.8mm(W) x 164mm(D) x 45mm(H) 8.49"(W) x 6.45"(D) x 1.77"(H)
Operating Temperature	0°C ~ 45°C (32°F~113°F)
Storage Temperature	-20°C ~ 80°C (-4°F~176°F)
Relative Humidity	10%~90% (non-condensing)
Vibration	M.2: 5 grms / 5~500Hz / random operation
Certification	CE, FCC Class-B, cULus
Operating System	Win10 IoT Enterprise(64-bit) Linux Ubuntu(64-bit)

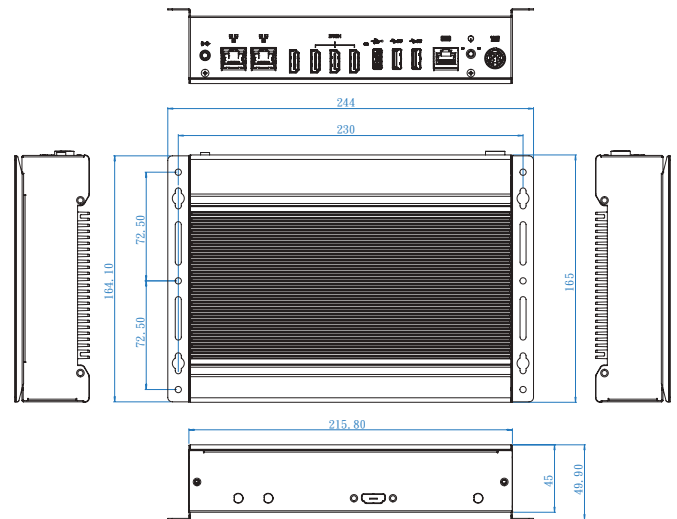
Features

- iSMART intelligent energy-saving & Observer remote monitoring technologies
- AMD Ryzen™ Embedded R2000 / V1000 Series Processors (TDP<=25W)
- Vega GPU with up to 8 compute units
- 4x HDMI 2.0 with independent Audio output support
- Built-in hardware EDID emulation function with software setting mode
- 2x DDR4-2400 SO-DIMM, Dual channel, Max. 32GB
- 1x Mini PCI-E (full-size) for Wi-Fi, Bluetooth, 4G LTE and capture card options
- 1x M.2 E-Key (2230) for Wi-Fi and Bluetooth options
- 1x M.2 M-Key (2280) for storage
- Compact and fanless design

Ordering Information

SI-324-N	Signage Player with MBD324 w/ AMD Ryzen™ Embedded V1605B 2.0GHz/3.6GHz; 2x 4GB DDR4-2400 SO-DIMM memory, M.2 128GB, 84W power adaptor
SI-324-N2314	Signage Player with MBD324 w/ AMD Ryzen™ Embedded R2314 2.1GHz/3.5GHz; 2x 4GB DDR4 SO-DIMM memory, M.2 128GB, 84W power adaptor

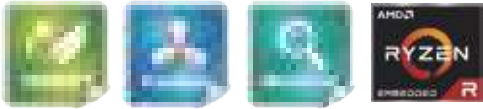
Dimensions



SI-323-N

Mid-Range Signage Player

AMD Ryzen™ Embedded R2000 / R1000 Series Fanless Digital Signage Player with AMD Vega GPU and Three HDMI



SI-323-N VIDEO

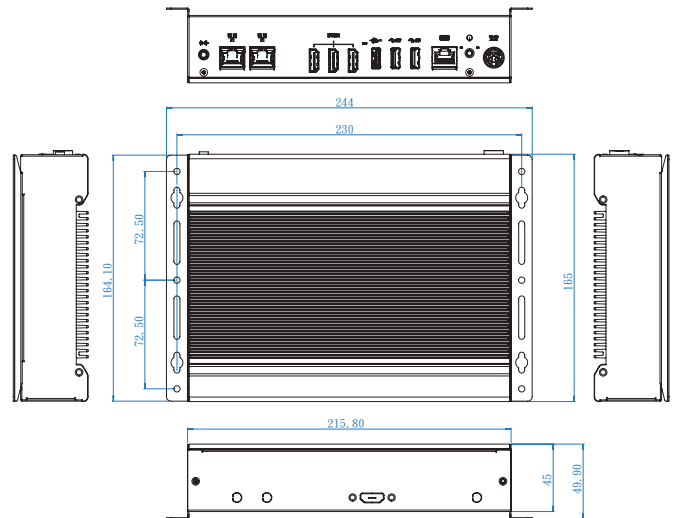
Features

- iSMART intelligent energy-saving & Observer remote monitoring technologies
- AMD Ryzen™ Embedded R2000 / R1000 Series Processors (TDP<=25W)
- Vega GPU with up to 3 compute units
- 3x HDMI 2.0 with independent Audio output support
- Built-in hardware EDID emulation function with software setting mode
- 2x DDR4-2400 SO-DIMM, Dual channel, Max. 32GB
- 1x Mini PCI-E (full-size) for Wi-Fi, Bluetooth, 4G LTE or capture card options
- 1x M.2 E-Key (2230) for Wi-Fi, Bluetooth, capture card options
- 1x M.2 M-Key (2280) for storage
- Compact and fanless design

Ordering Information

SI-323-N	Signage Player with MBD323 w/ AMD Ryzen™ Embedded R1606G 2.6GHz/3.5GHz; 2x 4GB DDR4-2400 SO-DIMM memory, M.2 128GB, 84W power adaptor
SI-323-N2312	Signage Player with MBD323 w/AMD Ryzen™ Embedded R2312 2.7GHz/3.5GHz ; 2x 4GB DDR4 SO-DIMM memory, M.2 128GB, 84W power adaptor

Dimensions



Specifications

System Mainboard	MBD323
CPU	AMD Ryzen™ Embedded R1000 2.6GHz/3.5GHz or R2000 2.7GHz/3.5GHz Processors (TDP <=25W)
CPU Socket	FP5 BGA package, 35mm x 25mm, 0.8mm pitch
Chipset	SoC integrated
Memory	2x DDR4-2400 SO-DIMM, Dual channel, Max. 32GB
Graphics	Next-Gen AMD Radeon™ HD GPU integrated
LAN	2x Realtek RTL8111H-CG Gigabit LAN controller
Expansion Slots	1x Mini PCI-E (full-size) 1x M.2 E-Key (2230) 1x SIM card slot
I/O Interface	3x HDMI 2.0 with hardware EDID emulation 2x USB 3.0, 1x USB 2.0 2x RJ45 for Gigabit LAN 1x RJ45 for RS-232 serial port 1x Audio connectors for Line-out 1x Power / HDD LED 1x Power button 1x Power jack connector
Auto Control and Monitoring	Watchdog Timer: 256 segments, 0, 1, 2...255 (sec/min)
Power Requirement	+12V DC-in
Construction	Aluminum + SGCC
Weight	1.5kg (3.31lbs)
Chassis Color	Black & white
Storage	1x M.2 M-Key (2280) (SATA signal only)
Power Supply	84W power adaptor
Mounting	Standard system bracket
Dimensions	215.8mm(W) x 164mm(D) x 45mm(H) 8.49"(W) x 6.45"(D) x 1.77"(H)
Operating Temperature	0°C ~ 45°C (32°F~113°F)
Storage Temperature	-20°C ~ 80°C (-4°F~176°F)
Relative Humidity	10%~90% (non-condensing)
Vibration	M.2: 5 grms / 5~500Hz / random operation
Certification	CE, FCC Class-B, cULus



SI-111-N

Entry-level Signage Player

Intel® Atom® x6000 / Pentium® / Celeron® Processor Fanless Signage Player with One HDMI



Features

- Intel® Atom® X6000/ Pentium® / Celeron® Processors
- iSMART intelligent energy-saving & Observer remote monitoring technologies
- 2x DDR4-3200 SO-DIMM, Dual channel
- 1x HDMI 2.0b
- 3x USB 3.1
- 1x 2.5GbE LAN port
- 1x COM (RS-232)
- 1x M.2 M-Key (2280) for storage
- 1x M.2 E-Key (2230) for Wi-Fi, Bluetooth or capture card options
- TPM 2.0 and watchdog timer
- Industrial-grade robust, fanless and compact design

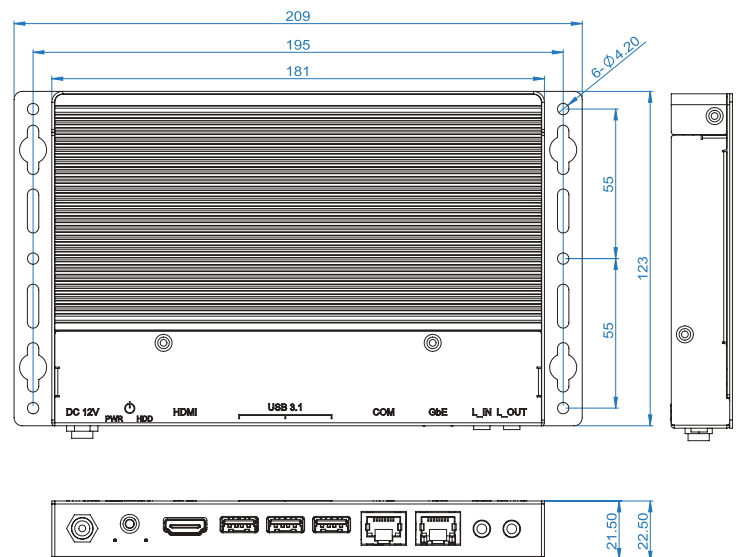
Specifications

System Mainboard	MBD111
CPU	Intel® Atom® x6211E (1.3~3.0GHz) Intel® Celeron® N6210 (1.2~2.6GHz)
CPU Socket	FCBGA1493
Chipset	SoC Integrated
Memory	2x DDR4-3200 SO-DIMM, Max. 32GB (support IB ECC)
Graphics	11th Gen Intel® SoC integrated 18EUs Gfx
LAN	1x Intel® I226IT 2.5GbE LAN for Atom® x6000 series 1x Intel® I226V 2.5GbE LAN for Celeron®
Expansion Slots	1x M.2 M-Key (2280) for storage 1x M.2 E-Key (2230) for Wi-Fi, Bluetooth or capture card options
I/O Interface	1x HDMI 2.0b 3x USB 3.1 1x RJ45 for 2.5GbE LAN 1x RJ45 for RS232 serial port 2x Audio connectors for Line-in / Line-out 1x Power button 1x Lockable power connector 1x UIM/SIM card slot 1x Power / HDD LED
Auto Control and Monitoring	Watchdog Timer: 256 segments, 0, 1, 2...255 (sec/min)
Power Requirement	+12V DC
Construction	Aluminum + SGCC
Weight	TBD
Chassis Color	Black & White
Storage	1x M.2 M-Key (2280)
Power Supply	60W power adaptor
Mounting	Standard system bracket
Dimensions	181mm(W) x 123mm(D) x 21.5mm(H)
Operating Temperature	-10°C ~ 50°C (14°F~122°F) for SI-111-N -20°C ~ 70°C (-4°F~158°F) for SI-111-N11E
Storage Temperature	-40°C~80°C (-40°F~176°F)
Relative Humidity	10%~90% (non-condensing)
Vibration	SSD: 5 grms / 5~500Hz / random operation
Certification	CE, FCC class-B, UKCA, cULus, LVD
Operating System	Win10 IoT Enterprise (64-bit) Linux Ubuntu (64-bit)

Ordering Information

SI-111-N	Signage Player with Intel® Celeron® N6210 (1.2~2.6GHz); 2x 4GB DDR4-3200 SO-DIMM, M.2 128GB storage, 1x HDMI 2.0b, 3x USB 3.1, 1x LAN, 1x COM (RJ45) and 60W power adaptor (Operating temperature -10°C~50°C)
SI-111-N11E	Signage Player with Intel® Atom® x6211E (1.3~3.0GHz); 2x 4GB DDR4-3200 SO-DIMM, M.2 128GB storage, 1x HDMI 2.0b, 3x USB 3.1, 1x LAN, 1x COM (RJ45) and 60W power adaptor (Operating temperature -20°C~70°C)

Dimensions





Specifications

System Mainboard	IB922
CPU	AMD G-Series; Quad-Core GX-415GA 1.5GHz
CPU Socket	FT3 BGA package
Chipset	SoC Integrated
Memory	1x DDR3-1600 MHz SO-DIMM, Single channel, Max. 8GB (Non-ECC)
Graphics	AMD Radeon™ HD8330E Graphics integrated in APU <ul style="list-style-type: none"> • DirectX 11.1 • Direct Compute 11 • Open GL 4.0 • OpenCL 1.1 • UVD4.2 hardware Video Decoder –H.264, MPEG-2, VC-1, MPEG4 (DivX), and WMV • VCE 2.0 –Video conferencing, wireless display. H.264, SVC
LAN	1x Realtek RTL8111H-CG Gigabit LAN controller
Expansion Slots	1x Mini PCI-E (full-size) 1x SIM card slot
I/O Interface	2x HDMI 1.4a 2x USB 3.0 ports 1x USB 2.0 port 1x RJ45 for LAN 1x RJ45 for RS232 2x Audio connectors for Line-in / Line-out 1x Power LED 1x Power button 1x DC jack
Auto Control and Monitoring	Watchdog Timer: 256 segments, 0, 1, 2...255 (sec/min)
Power Requirement	+12V DC-in
Construction	Aluminum + SGCC
Weight	0.9 kg (1.98 lbs)
Chassis Color	Black & white
Storage	1x mSATA
Power Supply	60W power adaptor
Mounting	Standard system bracket
Dimensions	190mm(W) x 130mm(D) x 19.5mm(H) 7.48"(W) x 5.12"(D) x 0.77"(H)
Operating Temperature	0°C ~ 45°C (32°F ~ 113°F)
Storage Temperature	-20°C ~ 80°C (-4°F ~ 176°F)
Relative Humidity	5~90% @ 45°C, (non-condensing)
Vibration	mSATA: 5 grms / 5~500Hz / random operation
Certification	CE, FCC Class-B, VCCI Class-B, cULus, LVD
Operating System	Windows® 7 (32/64-bit), Windows 8.1+ (32/64-bit) Win10 IoT Enterprise (64-bit) Windows 10 IoT Enterprise (64-bit) Window Embedded Standard 7 (32/64-bit)

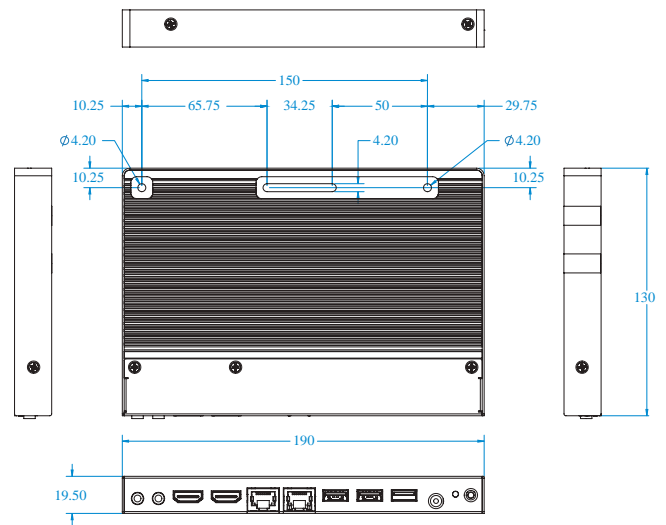
Features

- iSMART intelligent energy-saving & Observer remote monitoring technologies
- 2nd Gen AMD Embedded G-Series SoC APU Processors
- SoC Integrated 80 Core™ DirectX 11.1 GPU in processor
- 2x HDMI 1.4a
- 1x DDR3-1600 SO-DIMM, Single channel, Max. 8GB
- 1x Mini PCI-E (full-size) for Wi-Fi, Bluetooth or 4G LTE options
- Fanless, super slim and compact design

Ordering Information

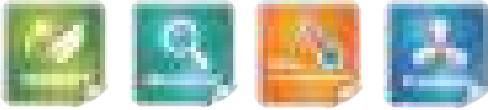
SI-22-415	Signage Player with G-Series Quad-Core 1.5GHz APU, 4GB DDR3 SO-DIMM, 128GB mSATA, 60W power adaptor
SI-MK1	Mounting bracket
SI-1U-AD	1U Rackmount kit
HDMI Cable Holder	SI-22 HDMI bracket kit

Dimensions



SI-12 SI-12-J19

Entry-Level Signage Player / Outdoor Signage Player
Intel® Atom® Processor E3845 or Celeron® Processor J1900
Fanless Signage Player with Intel® Gen7 Graphics and Dual HDMI



Features

- iSMART intelligent energy-saving & Observer remote monitoring technologies
- Intel® Atom™ E3845 Quad-Core 1.9 GHz or Celeron® J1900 Quad-Core 2.0 GHz
- Intel® HD Graphics (Gen 7-LP) 4EU
- 2x DDR3L-1333 SO-DIMM, Dual channel, Max. 8GB
- 2x HDMI 1.4a
- 1x Mini PCI-E (full-size) for Wi-Fi, Bluetooth or 4G LTE options
- Fanless, super slim and compact design
- Wide-range operating temperature from -30°C to 60°C

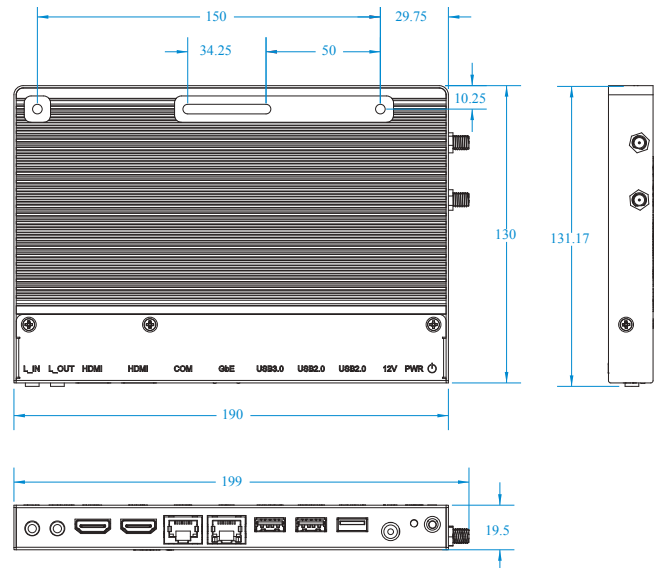
Specifications

System Mainboard	IB812
CPU	SI-12: Intel® Atom® E3845 Quad-Core 1.9 GHz SI-12-J19: Intel® Celeron® J1900 Quad-Core 2.0 GHz
CPU Socket	FCBGA 1170 BGA
Chipset	SoC Integrated
Memory	2x DDR3L-1333 SO-DIMMs, Dual channel, Max. 8GB (Non-ECC)
Graphics	Intel® HD Graphics (Gen 7-LP) 4EU
LAN	1x Realtek RTL8111H-CG Gigabit LAN controller
Expansion Slots	1x Mini PCI-E (full-size) 1x UIM/SIM card slot
I/O Interface	2x HDMI 1.4a 1x USB 3.0 port, 2x USB 2.0 1x RJ45 for Gigabit LAN 1x RJ45 for RS232 serial port 2x Audio connectors for Line-in / Line-out 1x Power / HDD LED 1x Power button 1x DC jack
Auto Control and Monitoring	Watchdog Timer: 256 segments, 0, 1, 2...255 sec/min
Power Requirement	+12V DC-in
Construction	Aluminum + SGCC
Weight	0.8 kg (1.76 lbs)
Chassis Color	Black & white
Storage	1x mSATA
Power Supply	60W power adaptor
Mounting	Standard system bracket
Dimensions	190mm(W) x 130mm(D) x 19.5mm(H) 7.48"(W) x 5.12"(D) x 0.77"(H)
Operating Temperature	-30°C ~ 60°C (-22°F~140°F) for SI-12 0°C ~ 45°C (32°F~113°F) for SI-12-J19
Storage Temperature	-40°C ~ 80°C (-40°F~176°F)
Relative Humidity	5~90% @ 45°C, (non-condensing)
Vibration	mSATA: 5 grms / 5~500Hz / random operation
Certification	CE, FCC class-B, VCCI class-B, cULus, LVD
Operating System	Win7 32/64-bit, Win8, Win8.1, WE18.1, WEC 2013, Win10 32/64-bit Enterprise

Ordering Information

SI-12	Signage Player with Intel® Atom® E3845 SoC (22nm); Quad-Core 1.91GHz, 4GB SO-DIMM RAM, 128GB mSATA, and 60W power adaptor (Operating temperature -30°C~60°C)
SI-12-J19	Signage Player with Intel® Celeron® J1900 (22nm); Quad-Core 2GHz, 4GB SO-DIMM, 128GB mSATA, and 60W power adaptor (Operating temperature 0°C~45°C)
SI-MK1	Mounting bracket
SI-1U-AD	1U Rackmount kit
HDMI Cable Holder	SI-12 HDMI bracket kit
Power Cable Holder	Bracket w/o rubber for SI-12 power button

Dimensions



SE-603-N

Outdoor Signage Player

11th Gen Intel® Core™ / Celeron® U-Series Fanless Signage Player with One HDMI, DP and DVI



Specifications

System Mainboard	MBD603
CPU	11th Gen Intel® Core™ / Celeron® U-Series (TGL-U Platform) Processors TDP<= 15W
CPU Socket	SoC Integrated
Memory	2x DDR4-3200 SO-DIMM, dual channel, Max. 64GB
Graphics	Gen12 integrated graphics (up to 96EU)
LAN	2x Intel® 226IT PCI-E Gigabit LAN controller
Expansion Slots	1x M.2 E-Key (2230) 1x M.2 B-Key (3052) 1x UIM/SIM card slot
I/O Interface	1x HDMI 2.0 with EDID emulation 1x DP (support DP++) 1x DVI-D 3x USB 3.1 @gen 2 with PDPC function 1x USB 2.0 1x RJ45 for 2.5 Gigabit LAN 2x Audio connectors for Line-in / Line-out 2x COM (1x COM for RS232/422/485, 1x COM for RS232) 1x DIO (4-in/4-out) 1x Power / HDD LED 1x Power button 1x 4-pin terminal block 1x Power switch connector
Auto Control and Monitoring	Watchdog Timer: 256 segments, 0, 1, 2...255 (sec/min)
Power Requirement	12V~24V DC terminal block
Construction	Aluminum + SGCC
Weight	TBD
Chassis Color	Black and white
Storage	1x M.2 M-Key (2280)
Power Supply	Optional
Mounting	Standard system bracket
Dimensions	224mm(W) x 134.6mm(D) x 46.5mm(H) 10.3"(W) x 52.9"(D) x 1.83"(H)
Operating Temperature	-40°C ~ 70°C (-40°F ~ 167°F)
Storage Temperature	-40°C ~ 80°C (-40°F ~ 176°F)
Relative Humidity	10% ~ 90% (non-condensing)
Vibration	SSD: 5 grms / 5~500Hz / random operation
Certification	CE, FCC class-B, cULus, UKCA
Operating System	Win10 IoT Enterprise (64-bit)

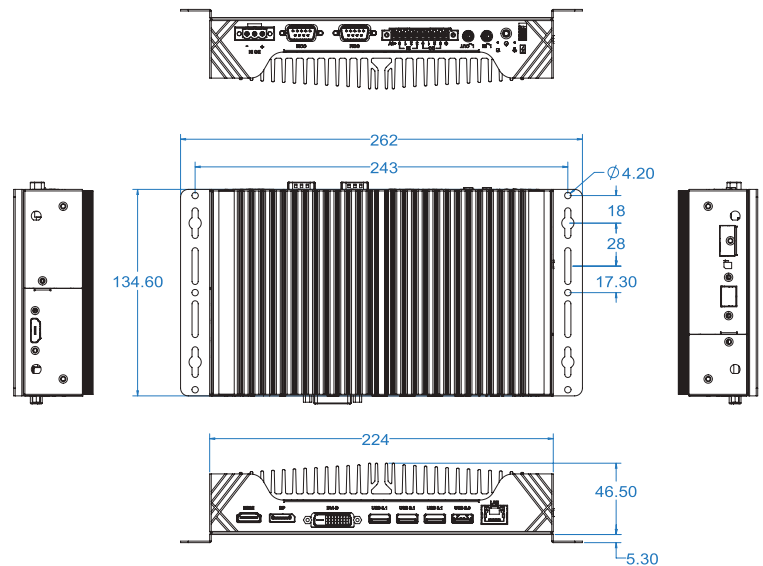
Features

- iSMART intelligent energy-saving & Observer remote monitoring technologies
- Intel® 11th Gen Intel® Core™ / Celeron® U-Series Processors
- 2x DDR4-3200 SO-DIMM, dual channel, Max. 64GB
- Intel® Processor integrated graphics device
- 1x HDMI 2.0 , 1x DVI-D , 1x DP (supports DP++)
- 1x M.2 E-Key (2230) for Wi-Fi, Bluetooth or capture card options
- 1x M.2 B-Key (3052) for 5G options
- TPM 2.0, vPro and watchdog timer
- Wide-range operating temperature: -40°C ~ 70°C
- Ruggedized, fanless and all solid state design

Ordering Information

SE-603-N	Signage Player with Intel® 11th Gen Intel® Core™ / Celeron® U-Series (TGL-U Platform) processor TDP<= 15W, 2x 4GB SO-DIMM RAM, M.2 128GB storage, wide temp -40°C ~ 70°C
----------	--

Dimensions



SE-103-N

Outdoor Signage Player

Intel® Atom® x6000 / Pentium® / Celeron® Processor Fanless Signage Player with Intel® Graphics and Three HDMI



Features

- iSMART intelligent energy-saving & Observer remote monitoring technologies
- Intel® Atom® x6000/ Pentium® / Celeron® Processors
- 3x HDMI 2.0b with HDMI-CEC display on/off control function
- Built-in hardware EDID emulation with S/W control function
- 2x DDR4-3200 SO-DIMM, Dual channel, Max. 32GB
- 1x Intel® 2.5GbE LAN
- 1x M.2 B-Key (3052) for 5G options
- 1x M.2 E-Key (2230) for Wi-Fi, Bluetooth or capture card options
- TPM 2.0 and watchdog timer
- Industrial-grade robust, fanless and compact Design
- Wide-range operating temperature from -20°C to 70°C

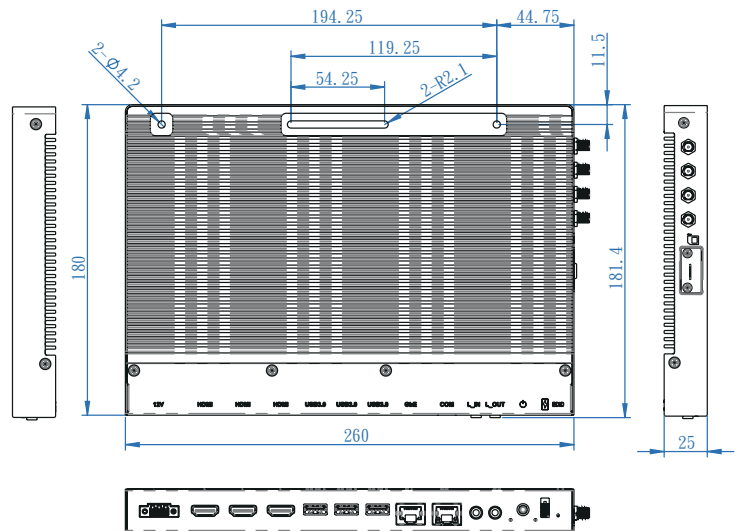
Specifications

System Mainboard	MBD103
CPU	Intel® Atom® x6425E (2.0~3.0GHz) Intel® Celeron® N6210 (1.2~2.6GHz)
CPU Socket	FCBGA1493
Chipset	SoC Integrated
Memory	2x DDR4-3200 SO-DIMM, Dual channel, Max. 32GB, supports IBEC for x6000 Series CPU
Graphics	11th Gen Intel® SoC integrated 18EUs Gfx
LAN	1x Intel® I225IT 2.5GbE LAN for Atom® x6000 series 1x Intel® I225V 2.5GbE LAN for Celeron®/ Pentium®
Expansion Slots	1x M.2 E-Key (2230) 1x M.2 B-Key (3052) 1x UIM/SIM card slot
I/O Interface	3x HDMI 2.0b 3x USB 1x RJ45 for 2.5GbE LAN 1x RJ45 for serial port (RS232/422/485) 2x Audio connectors for Line-in / Line-out 1x Power button 1x Terminal block for power port 1x UIM/SIM card slot 1x Power / HDD LED 4x DI, 4x DO pin header (w/o isolation) (Internal)
Auto Control and Monitoring	Watchdog Timer: 256 segments, 0, 1, 2...255 (sec/min)
Power Requirement	+12V DC
Construction	Aluminum + SGCC
Weight	1.7Kg (3.75lbs)
Chassis Color	Black & White
Storage	1x M.2 M-Key (2280)
Power Supply	60W power adaptor
Mounting	Standard system bracket
Dimensions	260mm(W) x 181.4mm(D) x 25mm(H) 10.24"(W) x 7.14"(D) x 0.98"(H)
Operating Temperature	-20°C~70°C (-29°F~158°F) for SE-103-N 0°C~45°C (0°F~140°F) for SE-103-N10
Storage Temperature	-20°C ~ 80°C (-22°F~176°F)
Relative Humidity	10%~90% (non-condensing)
Vibration	SSD: 5 grms / 5~500Hz / random operation
Certification	CE, FCC class-B, UKCA, cULus
Operating System	Win10 IoT Enterprise (64-bit) Linux Ubuntu (64-bit)

Ordering Information

SE-103-N	Signage Player with Intel® Atom® x6425E (2.0~3.0GHz); 2x 4GB DDR4-3200 SO-DIMM, M.2 128GB storage, 3x HDMI 2.0b, 3x USB, 1x LAN, 1x COM (RJ45), 60W power adaptor (Operating temperature -20°C~70°C)
SE-103-N10	Signage Player with Intel® Celeron® N6210(1.2~2.6GHz); 2x 4GB DDR4-3200 SO-DIMM, M.2 128GB storage, 3x HDMI 2.0b, 3x USB, 1x LAN, 1x COM (RJ45) and 60W power adaptor (Operating temperature 0°C~45°C)

Dimensions



SE-102-N

Outdoor Signage Player

Intel® Atom® x7/x5 / Pentium® & Celeron® Processor Fanless Signage Player with Dual HDMI



Features

- iSMART intelligent energy-saving & Observer remote monitoring technologies
- Intel® Atom™ x7/x5 / Pentium® / Celeron® Processors
- Intel® HD Graphics 505
- 2x 2GB DDR3L-L1866, Dual channel, Max. 8GB (Non-ECC, Unbuffered) DDR3L-1600 for N3350 only
- 2x HDMI 1.4b, 1x Mini PCI-E (full-size) for Wi-Fi, Bluetooth or 4G LTE options
- Fanless, super slim and compact design
- Wide-range operating temperature from -40°C to 70°C

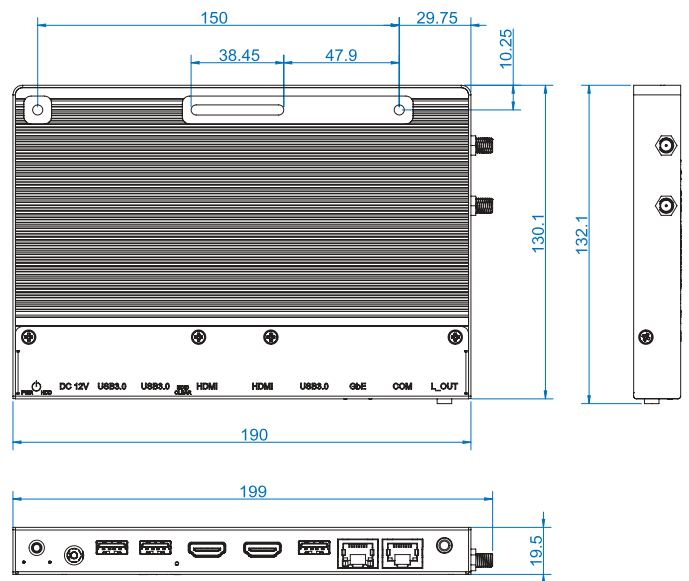
Specifications

System Mainboard	MBD102
CPU	Intel® Atom® x7/x5 / Pentium® & Celeron® Processors
CPU Socket	FCBGA1296
Chipset	SoC Integrated
Memory	2x 2GB DDR3L-L1866, Dual channel, Max. 8GB (Non-ECC, Unbuffered) DDR3L-1600 for N3350 only
Graphics	Intel® HD Graphics 505
LAN	1x Intel® I210IT Gigabit LAN controller for EXXXX series 1x Intel® I210AT Gigabit LAN controller for NXXXX series
Expansion Slots	1x Mini PCI-E (full-size) for Wi-Fi, Bluetooth or 4G options 1x SIM card slot
I/O Interface	2x HDMI 1.4b with hardware EDID emulation 3x USB 3.0 port 1x RJ45 for Gigabit LAN 1x RJ45 for RS232 serial port 1x Audio connectors for / Line-out 1x Power / HDD LED 1x power on / off button 1x DC jack
Auto Control and Monitoring	Watchdog Timer: 256 segments, 0, 1, 2...255 (sec/min)
Power Requirement	+12V DC
Construction	Aluminum + SGCC
Weight	0.9 kg (1.98 lbs)
Chassis Color	Black and white
Storage	1x mSATA
Power Supply	60W power adaptor
Mounting	Standard system bracket
Dimensions	190mm(W) x 130mm(D) x 19.5mm(H) 7.48"(W) x 5.12"(D) x 0.77"(H)
Operating Temperature	-40°C~70°C (-40°F~158°F) for SE-102-N 0°C~ 45°C (32°F~113°F) for SE-102-N420
Storage Temperature	-40°C ~ 110°C (-40°F~230°F)
Relative Humidity	5%~90% @45oC (non-condensing)
Vibration	SSD: 5 grms / 5~500Hz / random operation
Certification	CE, FCC class-B, cULus, LVD
Operating System	Windows10 / Linux

Ordering Information

SE-102-N	Signage Player with Intel® Atom® x7 / E3950 (1.6~2.0GHz); 2x 2GB DDR3 SO-DIMM RAM, 64GB mSATA, and 60W power adaptor. (Operating temperature: -40°C~70°C is not supported by the adaptor)
SE-102-N420	Signage Player with Intel® Pentium® N4200 (1.1~2.5GHz); 2x 2GB DDR3 SO-DIMM RAM, 64GB mSATA, and 60W power adaptor. (Operating temperature: 0°C~45°C)
SI-MK1	Mounting bracket

Dimensions



SW-101-N

Waterproof Signage Player

Intel® Atom® Processor E3845 Waterproof Fanless Signage Player with One HDMI



SW-101-N VIDEO



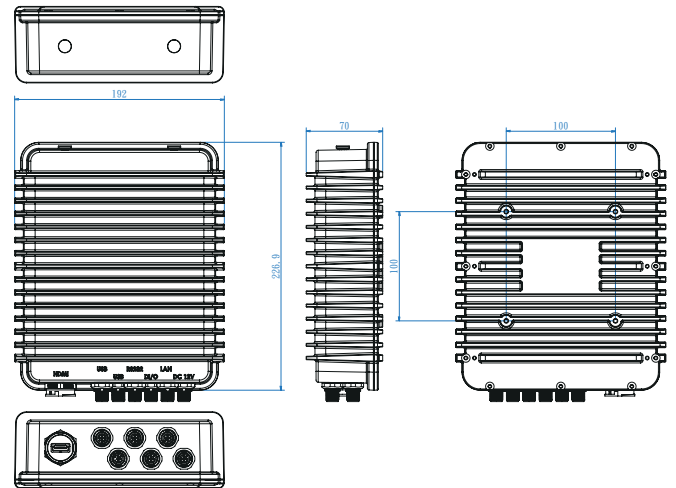
Features

- iSMART intelligent energy-saving & Observer remote monitoring technologies
- Intel® Atom® Processor E3845 Quad Core CPU
- 1x DDR3L-1333 SO-DIMM, Dual channel, Max. 8GB
- Intel® Processor integrated Graphics device, supports 1x HDMI port (C3 connector)
- 2x USB 2.0, 1x RS232, 1x Digital I/O (M12 connector)
- 1x Mini PCI-E for 3G, 4G LTE or Wi-Fi module, 1x mSATA for storage
- Wide-range operating temperature from -40°C ~ 75°C
- Waterproof, fanless design with IP68 rating

Ordering Information

SW-101-N	Signage Player with Intel® Atom® E3845 SoC (22nm); Quad-Core 1.91 GHz, 4GB SO-DIMM RAM, 64GB mSATA w/o power adaptor
----------	--

Dimensions



Specifications

System Mainboard	SGT-MB2
CPU	Intel® Atom® Processor E3845 Quad-Core 1.91GHz
CPU Socket	FCBGA 1170
Chipset	SoC Integrated
Memory	1x DDR3L-1333 SO-DIMMs, Dual channel, Max. 8GB
Graphics	Intel® HD Graphics (Gen 7-LP) 4EU
LAN	1x Realtek RTL8111H-CG Gigabit LAN controller
Expansion Slots	1x mini PCI-E (full-size) 1x mSATA socket for mSATA SSD
I/O Interface	1x HDMI (C3 connector) 2x USB 2.0 (M12 connector) 1x Gigabit LAN (M12 connector) 1x RS232 (M12 connector) 1x DC power (M12 connector) 2x N jack type antenna opening w/ waterproof design 1x DIO (M12 connector)
Auto Control and Monitoring	Watchdog Timer: 256 segments, 0, 1, 2...255 (sec/min)
Power Requirement	12V DC-in
Construction	Aluminum die-casting and heavy-duty steel
Weight	2.8kg
Chassis Color	Black
Storage	1x mSATA
Power Supply	84W power adaptor (optional)
Mounting	Wall mount
Dimensions	227mm(W) x 192mm(D) x 70mm(H) 8.93"(W) x 7.55"(D) x 2.75"(H)
Operating Temperature	-40°C ~ 75°C (-40°F ~ 167°F)
Storage Temperature	-40°C ~ 80°C (-40°F ~ 176°F)
Relative Humidity	10% ~ 90% (non-condensing)
Vibration	mSATA: 5 grms / 5 ~ 500Hz / random operation
Certification	CE, FCC Class-B
Operating System	Win7 32/64-bit, Win8, Win8.1, WE18.1, WEC 2013, Win10 32/64-bit Enterprise



Features

- Supports 7th/6th Gen Intel® Core™ U-Series QC/DC Processors
- Intel® HD Graphics engine
- Remote management with iAMT Technology
- 2x DDR4-2133, SO-DIMM, Dual channel, Max. 32 GB
- 1x HDMI 1.4b
- 1x Line-out / 1x Mic-in
- 1x RJ45 for Gigabit LAN, 1x RJ45 for RS232 serial port
- 4x USB 3.0 ports
- 1x M.2 E-Key (2230) for Wi-Fi or Bluetooth options

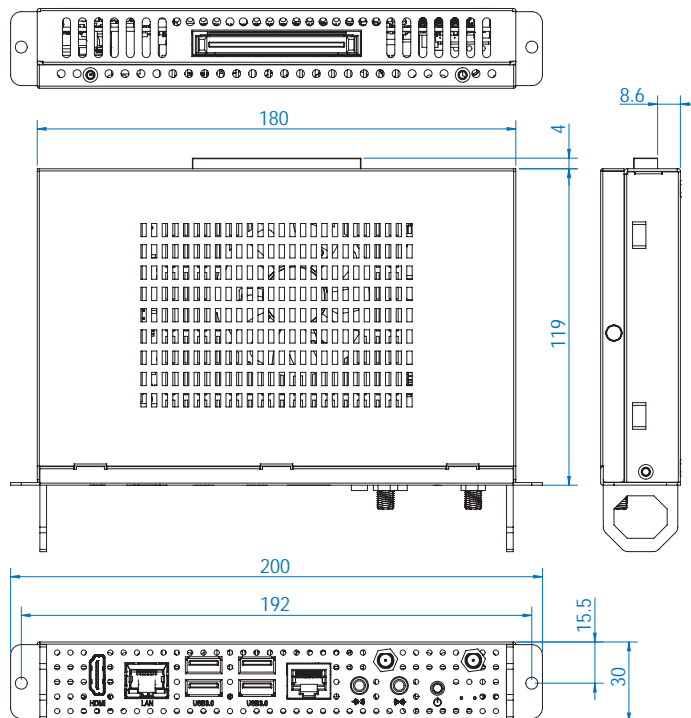
Specifications

System Mainboard	OPS602
CPU	7th Gen Intel® Core™ U-Series Processor
CPU Package	BGA1356
Chipset	SoC Integrated
Memory	2x DDR4-2133, SO-DIMM, Dual channel, Max. 32 GB.
Graphics	7th Gen Intel® Core™ U-Series processor Intel® HD Graphics
LAN	1x Intel® I219LM LAN PHY for I5/I7 1x Intel® I219V LAN PHY for I3
Expansion Slots	1x M.2 E-Key (2230)
I/O Interface	1x HDMI 1.4b 4x USB 3.0 ports 1x RJ45 for Gigabit LAN 1x RJ45 for RS232 serial port 2x Audio connectors for Line-out/Mic-in 1x Power / HDD LED 1x power on/off button
Auto Control and Monitoring	Watchdog Timer: 256 segments, 0, 1, 2...255 (sec/min)
Power Requirement	+12~19V DC
Construction	SGCC
Weight	0.9 kg (1.98 lbs)
Chassis Color	Black and gray
Storage	1x M.2 M-Key (2280)
Power Supply	Power Requirement: DC-in +12V~+19V (Intel® OPS standard)
Mounting	OPS standard bracket
Dimensions	200mm(W) x 119mm(D) x 30mm(H) 7.87"(W) x 4.69"(D) x 1.18"(H)
Operating Temperature	0°C~ 45°C (32°F~113°F)
Storage Temperature	-20°C ~ 80°C (-4°F~176°F)
Relative Humidity	5%~90% @45oC (non-condensing)
Vibration	SSD: 5 grms / 5~500Hz / random operation
Certification	CE, FCC Class-B
Operating System	Win10 IoT Enterprise (64-bit) Linux Ubuntu

Ordering Information

IOPS-602	OPS System with Intel® Core™ i7-7600U (2.8GHz/3.9GHz) onboard, with 2x 4GB DDR4-2133 SO-DIMM, M.2 128GB storage
IOPS-602-i5	OPS System with Intel® Core™ i5-7300U (2.6GHz/3.5GHz) onboard, with 2x 4GB DDR4-2133 SO-DIMM, M.2 128GB storage
IOPS-DK1	iOPS-76/302/602 series Expansion Dock with 150W adaptor for use without OPS display

Dimensions





Features

- 48" color TFT active matrix, wide LCD with optimum resolution 3840 x 720
- 8th Gen Intel® Core™ i5-8365UE 1.6~4.1GHz with Intel® UHD Graphics 620
- 2x DDR4-2400 SO-DIMM, Dual channel, Max. 32GB
- 2x USB2.0
- Ruggedized, fanless and compact design

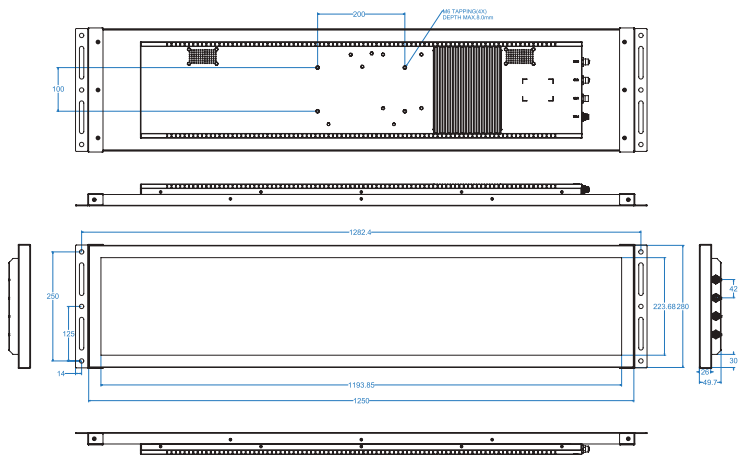
Specifications

Panel Type	48" color TFT active matrix, wide LCD
Display Area	103.65(H) x 310.95(V)
Resolution	3840 x 720
Contrast Ratio	1000:1 (typ)
Viewing Angles	89°(H) / 89°(V)
Response Time	20ms (typ)
Backlight	LED 50,000H
Brightness	1,000 nits (typ.)
Panel Surface	Hard coating, Reduce scratching
System Mainboard	IB919
CPU Type	8th Gen Intel® Core™ i5-8365UE (1.6GHz/4.1GHz)
CPU Socket	FCBGA1528
Chipset	SoC Integrated
Memory	2x DDR4-2400 SO-DIMM, Dual channel, Max.32GB
Graphics	Intel® UHD Graphics 620
LAN	1x Intel® I219LM GbE PHY
Expansion Slots	N/A
I/O Interface	1x M12 connector Gigabit LAN 2x M12 connector USB 2.0 1x RS232/422/485 (jumperless selection) M12 connector 2x Speakers (reserved) 2x Antenna (reserved)
Auto Control and Monitoring	Watchdog timer: 256 segments, 0, 1, 2...255 sec/min
Power Requirement	+24V DC-in
Construction	Aluminum + SGCC
Weight	TBD
Chassis Color	Black
Storage	1x mSATA
Power Supply	Optional
Mounting	Side mounting
Dimensions	1250mm(W) x 280mm(D) x 49.7mm(H) 49.21"(W) x 11.02"(D) x 1.96"(H)
Operating Temperature	-25°C~ 40°C (-13°F~104°F)
Storage Temperature	-20°C~80°C (-4°F~176°F)
Relative Humidity	5%~90% @45oC (non-condensing)
Vibration	IEC61373
Certification	CE, FCC Class-B
Operating System	Win10 32/64 bit Enterprise

Ordering Information

ARD-048-N	48" All-in One Resizing Fanless 4K Panel PC with Intel® Core™ i5-8365UE (1.6GHz/4.1GHz), 2x 4GB DDR4-2400 SO-DIMM, 128GB mSATA, power adapter 180W 24V output
Speaker set	2x 4W speaker with the amplifier board

Dimensions





Features

- 42" color TFT active matrix, wide LCD with optimum resolution 1920 x 480
- Intel® Pentium® N4200 1.1Ghz~2.5GHz with Intel® SoC integrated Gen 9 18EUs Graphics
- 2x DDR3L-1866 SO-DIMM, Dual channel, Max. 8GB
- 1x M.2 B-Key (3042) for storage or 4G LTE options
- 2x RJ45 for Gigabit LAN
- 1x HDMI 1.4b
- 1x DP 1.2
- Ruggedized, fanless and compact design

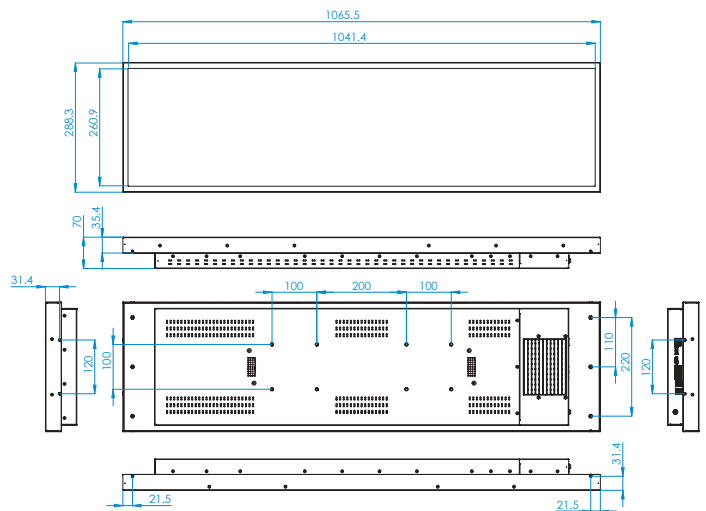
Specifications

Panel Type	42" color TFT active matrix, wide LCD
Display Area	1039.68 (H) x 259.92(V)
Resolution	1920 x 480
Contrast Ratio	3500:1(typ.)
Viewing Angles	178°(H) / 178°(V)
Response Time	8ms (typ.)
Backlight	LED
Brightness	550 nits
Panel Surface	Anti-glare coating (Haze 44%)
System Mainboard	IB811F-420
CPU	Intel® Pentium® QC N4200 (1.1GHz~2.5GHz, 2MB cache)
CPU Socket	FCBGA1296 (24mm x 31mm)
Chipset	SoC Integrated
Memory	2x DDR3L-1866 SO-DIMM, Dual channel, Max. 8GB
Graphics	Intel® SoC integrated Gen 9 18EUs graphics
LAN	2x Intel® I210AT PCI-E Gigabit LAN
Expansion Slots	1x M.2 B-Key (3042)
I/O Interface	1x HDMI 1.4b 1x DP 1.2 2x RJ45 for Gigabit LAN 4x USB 3.0 1x RS-232/422/485 (jumperless selection)
Auto Control and Monitoring	Watchdog Timer: 256 segments, 0, 1, 2...255 (sec/min)
Power Requirement	+12V DC-in
Construction	Aluminum + SGCC
Weight	14.8 kg (32.63 lbs)
Chassis Color	Black
Storage	1x mSATA
Power Supply	180W power adaptor
Mounting	Side mounting
Dimensions	1065.5mm(W) x 288.3mm(D) x 70mm(H) 41.94"(W) x 11.35"(D) x 2.75"(H)
Operating Temperature	0°C ~ 40°C (32°F~104°F)
Storage Temperature	-20°C ~ 80°C (-4°F~176°F)
Relative Humidity	5%~90% @45oC (non-condensing)
Vibration	IEC61373 (Vibration Class-B)
Certification	CE, FCC Class-B

Ordering Information

ARD-042-N	42" All-in-one Resizing Panel PC with Intel® Pentium® QC N4200 (1.1GHz~2.5GHz, 2MB cache), 2GB DDR3L-1866 SO-DIMM, 64GB mSATA w/ RJ45 LAN, AC/DC power adaptor 180W 24V output, DC Plug with screw lock
Speaker set	2x 4W speakers with the amplifier board

Dimensions





Features

- 37" color TFT active matrix, wide LCD with optimum resolution of 1920 x 540 & 1000 nits brightness
- Intel® Pentium® N4200 1.1~1.25GHz with Intel® SoC integrated Gen9 Gfx with 18EUs
- 2x DDR3L-1866 SO-DIMM, Dual channel, Max. 8GB
- 1x M.2 B-Key (3042) for storage or 4G LTE options
- 2x RJ45 for Gigabit LAN
- 1x HDMI 1.4b
- 1x DP 1.2
- Ruggedized, fanless and compact design

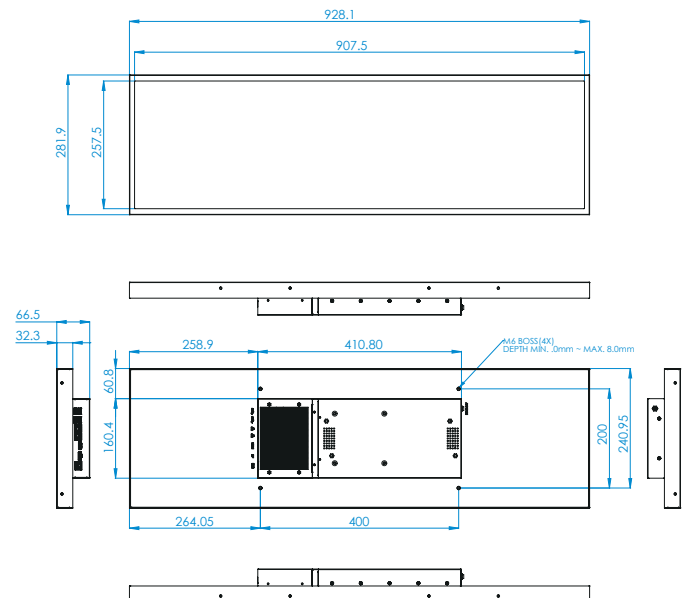
Specifications

Panel Type	37" color TFT active matrix, wide LCD
Display Area	904.32(H) x 254.34(V)
Resolution	1920 x 540
Contrast Ratio	4000:1 (typ.)
Viewing Angles	178°(H) / 178°(V)
Response Time	6.5ms (typ.)
Backlight	LED 50,000H
Brightness	1000 nits
Panel Surface	Anti-glare, hard coating (3H)
System Mainboard	IB811F-420
CPU	Intel® Pentium® QC N4200 (1.1GHz~2.5GHz, 2MB cache)
CPU Socket	FCBGA1296 (24mm x 31mm)
Chipset	SoC Integrated
Memory	2x DDR3L-1866 SO-DIMM, Dual channel, Max. 8GB
Graphics	Intel® SoC integrated Gen9 18EUs Gfx
LAN	2x Intel® I210AT PCI-E Gigabit LAN
Expansion Slots	1x M.2 B-Key (3042)
I/O Interface	1x HDMI 1.4b, 1x DP1.2 2x RJ45 for Gigabit LAN 4x USB 3.0 1x RS-232/422/485 (jumperless selection)
Auto Control and Monitoring	Watchdog Timer: 256 segments, 0, 1, 2...255 (sec/min)
Power Requirement	+24V DC-in
Construction	Aluminum + SGCC
Weight	9.0 kg (20.0 lbs)
Chassis Color	Black
Storage	1x mSATA
Power Supply	180W power adaptor
Mounting	Side mounting
Dimensions	928.1mm(W) x 66.5mm(D) x 281.9mm(H) 36.54"(W) x 2.62"(D) x 11.10"(H)
Operating Temperature	0°C ~ 40°C (32°F ~ 104°F)
Storage Temperature	-20°C ~ 80°C (-4°F ~ 176°F)
Relative Humidity	5%~90% @45oC (non-condensing)
Vibration	IEC61373 (Vibration Class-B)
Certification	CE, FCC Class-B, cULus
Operating System	Win10 32/64-bit Enterprise

Ordering Information

ARD-037-N	37" All-in-one Resizing Panel PC with Intel® Pentium® QC N4200 (1.1GHz~2.5GHz, 2MB cache), 2x 2GB DDR3L-1866 SO-DIMM, 64GB mSATA w/ RJ45 LAN, AC/DC power adaptor 180W 24V output, DC plug with screw lock, Win10 32/64-bit Enterprise
Speaker set	2x 5W speakers with the amplifier board

Dimensions





Features

- 27.6" color TFT active matrix, wide LCD with optimum resolution of 1920 x 360 & 1000 nits brightness
- Intel® Pentium® N4200 1.1~1.25GHz with Intel® HD Graphics (Gen 9) 18 EUs SoC Integrated
- 2x DDR3L-1866 SO-DIMM, Dual channel, Max. 8GB
- 1x M.2 B-Key (3042) for storage or 4G LTE options
- 1x HDMI 1.4b
- 1x DP 1.2
- 2x RJ45 for Gigabit LAN
- Ruggedized, fanless and compact design

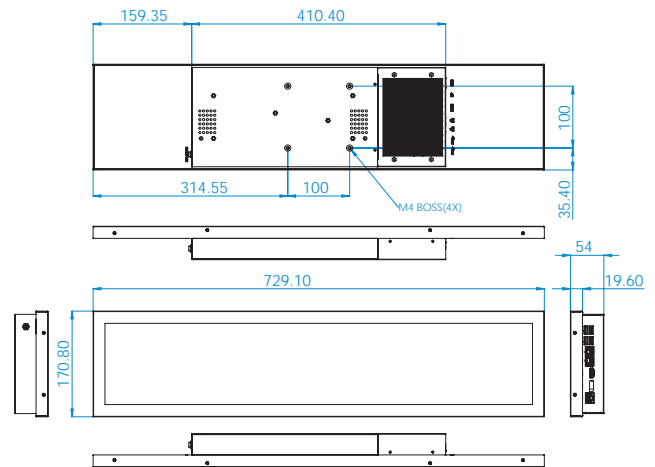
Specifications

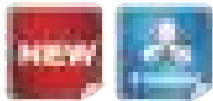
Panel Type	27.6" color TFT active matrix, wide LCD
Display Area	688.896(H) x 129.168(V)
Resolution	1920 x 360
Contrast Ratio	3000:1 (typ.)
Viewing Angles	170°(H) / 170°(V)
Response Time	6.5ms (typ.)
Backlight	LED 50,000H
Brightness	1,000 nits (typ.)
Panel Surface	Anti-glare, hard coating (3H)
System Mainboard	IB811F-420
CPU	Intel® Pentium® QC N4200 (1.1GHz~2.5GHz, 2MB cache)
CPU Socket	FCBGA1296 (24mm x 31mm)
Chipset	SoC Integrated
Memory	2x DDR3L-1866 SO-DIMM, Dual channel, Max. 8GB
Graphics	Intel® SoC integrated Gen 9 18EUs Gfx
LAN	2x Intel® I210AT PCI-E Gigabit LAN
Expansion Slots	1x M.2 B-Key (3042)
I/O Interface	1x HDMI 1.4b 1x DP 1.2 2x RJ45 for Gigabit LAN 4x USB 3.0 1x RS-232/422/485 (jumperless selection)
Auto Control and Monitoring	Watchdog timer: 256 segments, 0, 1, 2...255 sec/min
Power Requirement	+12V DC-in
Construction	Aluminum + SGCC
Weight	5.4 kg (11.9 lbs)
Chassis Color	Black
Storage	1x mSATA
Power Supply	84W power adaptor
Mounting	Side mounting
Dimensions	729.10mm(W) x 54mm(D) x 170.80mm(H) 28.70"(W) x 2.13"(D) x 6.72"(H)
Operating Temperature	-25°C ~ 55°C (-13°F ~ 131°F)
Storage Temperature	-20°C~80°C (-4°F~176°F)
Relative Humidity	5~90% @ 45°C, (non-condensing)
Vibration	IEC61373 (Vibration Class-B)
Certification	CE, FCC Class-B, cULus
Operating System	Win10 32/64-bit Enterprise

Ordering Information

ARD-028-NRA	27.6" All-in-one Resizing Panel PC with Intel® Pentium® QC N4200 (1.1GHz~2.5GHz, 2MB cache), 2GB DDR3L-1866 SO-DIMM, 64GB mSATA w/ RJ45 LAN & 84W
Speaker set	2x 4W speakers with the amplifier board

Dimensions





Specifications

System Mainboard	IBR215-Q316I 2.5-inch SBC
Processor	NXP i.MX 8M Plus - ARM Cortex-A53 Quad 1.6GHz
Chipset	Integrated
System Memory	3GB LPDDR4 on board
Graphics	GC7000UL OpenGL ES 3.1, Vulkan Open CL™ 1.2 FP Vivante GC520L (2D)
LAN	2x RJ45 GbE LAN
Expansion Slots	1x M.2 B-Key (3052) w/ SIM socket (for 5G)
I/O	1x HDMI 2.0a, 1080p60 2x USB 3.0 Type-A 1x Mini-USB OTG 1x On/Off button 1x SD socket (UHS-I SDR-104, 104MB/s max) 1x Boot select switches (boot from eMMC or SD) 1x 12V~24V DC IN Jack
Auto Control and Monitoring	Watchdog Timer:256 Levels, 0~128 Secs
Power Requirement	12V~24V DC-in
Construction	SGCC
Weight	0.5kg (1.1lbs)
Chassis Color	Black
Storage	16GB eMMC on board (Default)
Power Supply	60W
Mounting	DIN rail, wall mount
Dimensions	16GB eMMC on board (Up to 128GB)
Operating Temperature	-40°C~ 70°C (-40°F ~ 158°F)
Storage Temperature	-40°C~ 70°C (-40°F ~ 158°F)
Relative Humidity	10%~90% (non-condensing)
Vibration	N/A
Certification	CE/ FCC Class-B
OS Support	Yocto v3.0 Android 11 Other OS supports by request

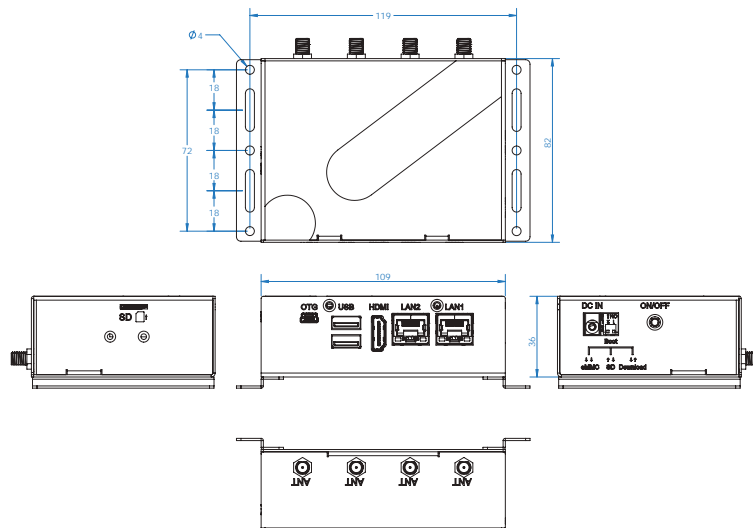
Features

- NXP i.MX 8M Plus - ARM Cortex-A53 Quad processor
- 3GB LPDDR4, 16GB eMMC & SD socket for expansion
- Embedded I/O, USB, HDMI, Ethernet
- Supports M.2 B-Key (3052), 5G connectivity
- Ruggedized and fanless design

Ordering Information

ISR215-Q316I	ARM-based IOT Gateway, NXP i.MX 8M Plus - ARM Cortex-A53 Quad 1.6GHz, 3GB LPDDR4, 16GB eMMC
--------------	---

Dimensions





Features

- NXP i.MX 8M - ARM Cortex-A53 Quad processor
- 3GB LPDDR4, 16GB eMMC & SD socket for expansion
- Embedded I/O for COM, GPIO, USB, HDMI, Ethernet
- Supports M.2 E-Key (2230) and Mini PCI-E with SIM socket for Wireless/4G/LTE connectivity
- Ruggedized and fanless design

Specifications

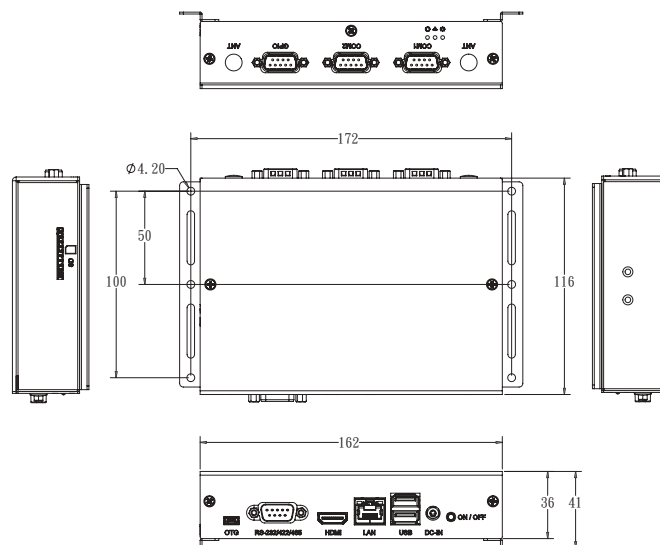
System Mainboard	IBR210-Q316I 3.5-inch SBC
Processor	NXP i.MX 8M - ARM Cortex-A53 Quad 1.3GHz
Chipset	Integrated
System Memory	3GB LPDDR4 on board
Graphics	GC7000Lite OpenGL ES 1.1, 2.0, 3.0, 3.1, Open CL 1.2, and Vulkan
LAN	1x RJ45 GbE LAN
Expansion Slots	1x M.2 E-Key (2230) w/ USB, SDIO, UART, PCI-E 1x Mini PCI-E (PCI-E and USB) w/ SIM socket
I/O	1x HDMI 2.0a, 4Kp60 2x USB 3.0 Type-A 1x RS232 /422/485 (DB9 connector) 1x Mini-USB OTG 1x On/Off button 2x RS232 (DB9 connector) 8x GPIO 2x Antenna hole (reserved) 3x LED indicators
Auto Control and Monitoring	Watchdog Timer:256 Levels, 0~128 Secs
Power Requirement	12V~24V DC-in
Construction	SGCC
Weight	0.5kg (1.1lbs)
Chassis Color	Black
Storage	16GB eMMC on board (Default)
Power Supply	60W
Mounting	VESA 75 / 100, DIN rail, wall mount
Dimensions	172mm x 162mm x 36 mm (6.78" x 6.38" x 1.42")
Operating Temperature	-10°C~ 60°C (14°F ~ 140°F)
Storage Temperature	-40°C~ 80°C (-40°F~176°F)
Relative Humidity	10%~90% (non-condensing)
Vibration	N/A
Certification	CE/ FCC Class-B
OS Support	Yocto v2.5 Android 9 UBUNTU 18.04 evaluation

Ordering Information

ISR301-Q316I

ARM-based IOT Gateway, NXP i.MX 8M - ARM Cortex-A53 Quad 1.3GHz processor, 3GB LPDDR4, 16GB eMMC, HDMI, RS-232/422/285, USB3.0, M.2 E-Key (2230) & Mini PCI-E w/ SIM socket

Dimensions



SA-101-N

ARM-Based Signage Player

Fanless Signage Player with
NXP i.MX 6Quad - ARM Cortex-A9 Processor



Features

- NXP i.MX 6Quad - ARM Cortex-A9 Processor
- 1x eMMC NAND flash 8GB on board
- Onboard DDR3L, 2GB, 533MHz, (1066MT/s)
- 1x Mini-HDMI(Type-C)
- 1x USB, 1x microSD card slot (up to 32GB)
- Supports 802.11 a/b/g/n
- 5V DC-in power input
- Ruggedized, fanless and compact design

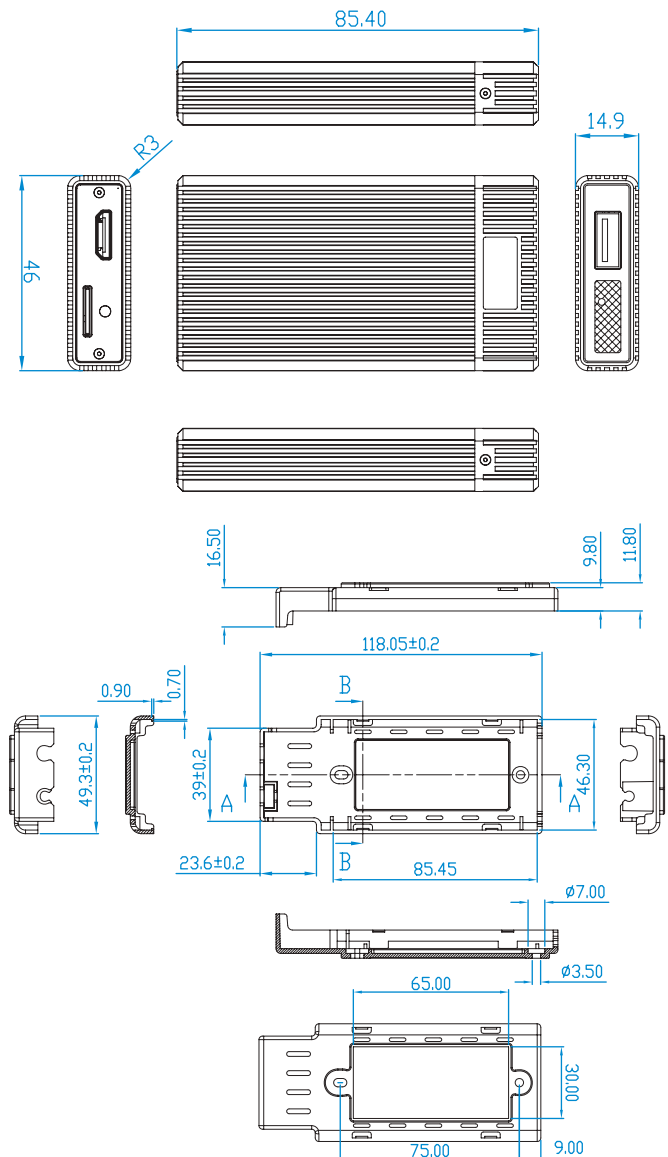
Specifications

System Mainboard	MBD101
Processor	NXP i.MX 6Quad - ARM Cortex-A9 Processor
Chipset	Integrated
System Memory	DDR3L 2GB on board
Graphics	2D+3D (2 /3 GPUs) (35Mtri/s / 200Mtri/s)
I/O	1x USB host USB 2.0 A-Type 1x Mini-HDMI (C-Type) connector 1x MicroSD card 1x Power jack
Power Requirement	+5V DC-in
Construction	Aluminum
Weight	0.085kg (0.19lbs)
Chassis Color	Silver
Storage	1x eMMC (8GB) 1x MicroSD card slot (up to 32GB)
Power Supply	10W power adaptor
Mounting	Standard system bracket
Dimensions	85mm x 45mm x 15mm (3.35" x 1.77" x 0.59")
Operating Temperature	0°C ~ 50°C (32°F ~ 122°F)
Storage Temperature	-20°C ~ 70°C (-4°F ~ 158°F)
Relative Humidity	10~90% @ 45 °C, (non-condensing)
Vibration	eMMC: 5 grms/ 5~500Hz/ random operation
Certification	CE, FCC class A , VCCI class A, TELEC
OS Support	Android 4.4.2

Ordering Information

SA-101-NQC	ARM-based signage player with IMX6QC 1GHz processor, eMMC NAND flash 8GB & DDR3L 2GB on board, 10W power adaptor
------------	--

Dimensions



HEADQUARTERS

IBASE Technology Inc.
11F, No. 3-1, Yuan Qu St., Nankang,
Taipei 115, Taiwan, R.O.C.

廣積科技股份有限公司
台北市115南港區園區街3-1號11樓G棟
Tel: +886-2-2655-7588
Fax: +886-2-2655-7388
sales@ibase.com.tw
www.ibase.com.tw



WORLDWIDE OFFICES

European Headquarters
IBASE Europe (TMC Technology)
12 Wedgwood Court Stevenage,
Herts, SG1 4QR, United Kingdom
Tel: +44-1438-846090
Fax: +44-1438-842308
sales@ibase-europe.com
www.ibase-europe.com

Italy
IBASE Italy S.r.l.
Via Sant Antonio 1/A
28845 Domodossola, Verbania, Italy
Tel: +39-0324-47501
Fax: +39-0324-47501
info.italy@ibase-europe.com
www.ibase-europe.com

USA
IBASE Technology (USA), Inc.
1050 Stewart Drive, Sunnyvale,
CA 94085, U.S.A.
Tel: +1-408-992-0888
Fax: +1-408-992-0808
sales@ibase-usa.com
www.ibase-usa.com

Singapore
IBASE Singapore Pte Ltd.
10, Ubi Crescent #07-60,
Ubi Techpark (Lobby D),
Singapore 408564
Tel: +65-6842-5112
Fax: +65-6842-5113
sales@ibase-singapore.com
www.ibase-singapore.com

China
IBASE (Shanghai) Technology Inc.
2F, Building 3, No. 2005, HongMei
Road, 201103 Shanghai, China
上海广佳信息技术有限公司
中国上海市虹梅路2005号3号楼2层
邮编: 201103
Tel: +86-021-6090-5088
Fax: +86-021-6090-6388
sales@ibase.com.tw
www.ibase.com.tw

China
IBASE (Shanghai) Technology Inc.
Beijing Office
Room 1622, GuoFengMeiTang
Building 5, No. 106, KeXing West Road,
Changping District, 100029 Beijing, China
上海广佳信息技术有限公司-北京办事处
中国北京市昌平区回龙观科星西路106号
国风美唐5号商务楼1622室
邮编: 100029
Tel: +86-133-113-80499
sales@ibase.com.tw
www.ibase.com.tw

Japan
IBASE Japan Corp.
3F Bansei Muromachi Bldg., 4-3-12
Nihonbashi Muromachi, Chu-O ku,
Tokyo, Japan
IBASE ジャパン株式会社
東京都中央区日本橋室町4-3-12
バンセイ室町ビル3F
Tel: +81-3-6262-1303
Fax: +81-3-6262-6106
sales@ibase-japan.com
www.ibase-japan.com

India
IBASE India
sales@ibase-india.com
www.ibase-india.com